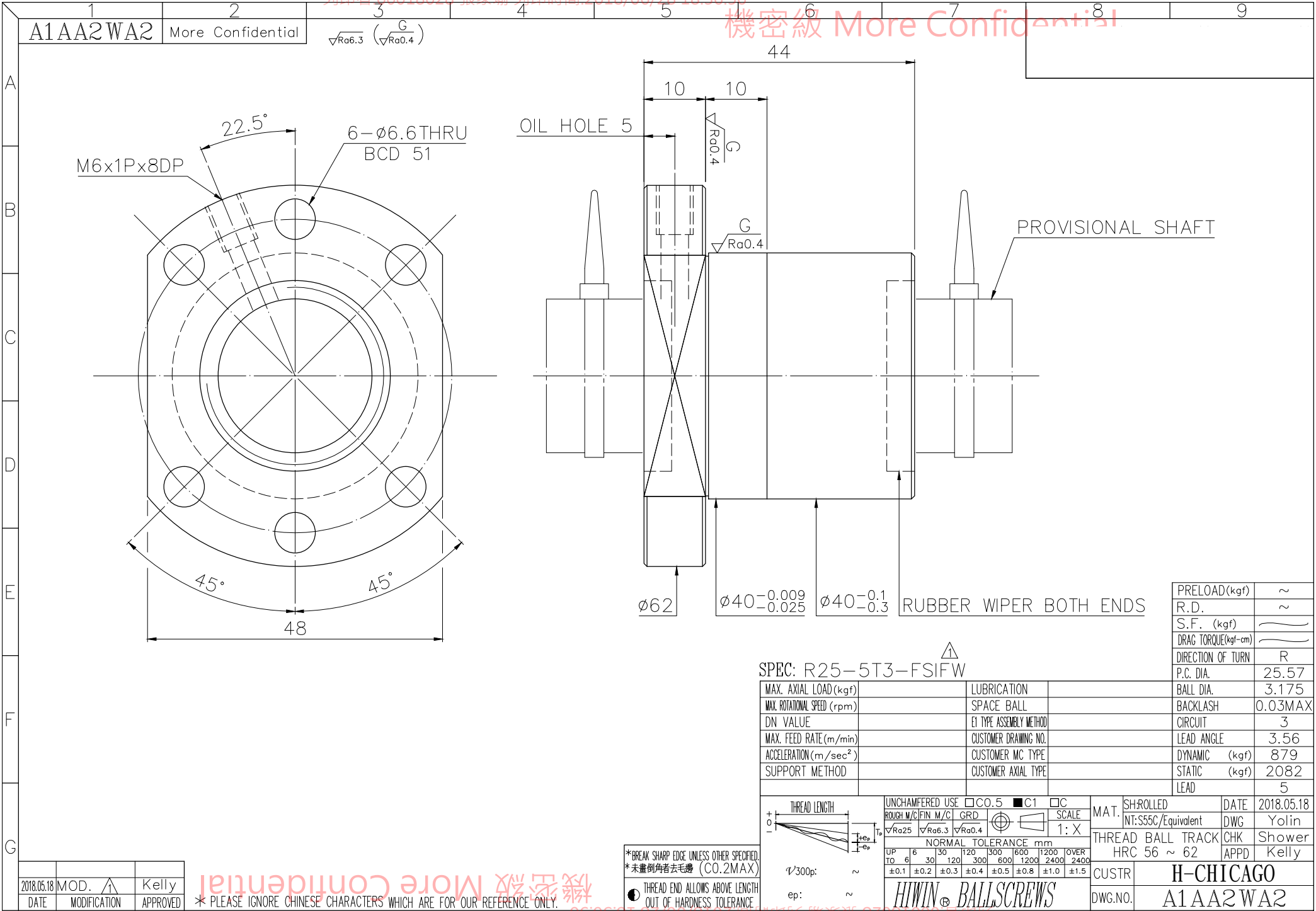


機密級 More Confidential



PRELOAD(kgf)	~
R.D.	~
S.F. (kgf)	~
DRAG TORQUE(kgf-cm)	~
DIRECTION OF TURN	R
P.C. DIA.	25.57
BALL DIA.	3.175
BACKLASH	0.03MAX
CIRCUIT	3
LEAD ANGLE	3.56
DYNAMIC (kgf)	879
STATIC (kgf)	2082
LEAD	5

SPEC: R25-5T3-FSIFW

MAX. AXIAL LOAD(kgf)	LUBRICATION	BALL DIA.
MAX. ROTATIONAL SPEED (rpm)	SPACE BALL	BACKLASH
DN VALUE	EI TYPE ASSEMBLY METHOD	CIRCUIT
MAX. FEED RATE(m/min)	CUSTOMER DRAWING NO.	LEAD ANGLE
ACCELERATION (m/sec ²)	CUSTOMER MC TYPE	DYNAMIC (kgf)
SUPPORT METHOD	CUSTOMER AXIAL TYPE	STATIC (kgf)
		LEAD

UNCHAMFERED USE	<input type="checkbox"/> CO.5	<input checked="" type="checkbox"/> C1	<input type="checkbox"/> C	SCALE	MAT.	SH.ROLLED	DATE		
ROUGH M/C	FIN M/C	GRD		1: X	NT:S55C/Equivalent		2018.05.18		
√Ra25	√Ra6.3	√Ra0.4			THREAD BALL TRACK	CHK	Yolin		
					HRC 56 ~ 62	APPD	Kelly		
NORMAL TOLERANCE mm					CUSTR	H-CHICAGO			
UP	6	30	120	300	600	1200	2400	2400	
TO	±0.1	±0.2	±0.3	±0.4	±0.5	±0.8	±1.0	±1.5	
HIWIN BALLSCREWS					DWG.NO.	A1AA2WA2			

*BREAK SHARP EDGE UNLESS OTHER SPECIFIED.
*未量倒角者去毛邊 (CO.2MAX)
● THREAD END ALLOWS ABOVE LENGTH OUT OF HARDNESS TOLERANCE.

2018.05.18	MOD.	▲	Kelly
DATE	MODIFICATION		APPROVED

機密級 More Confidential