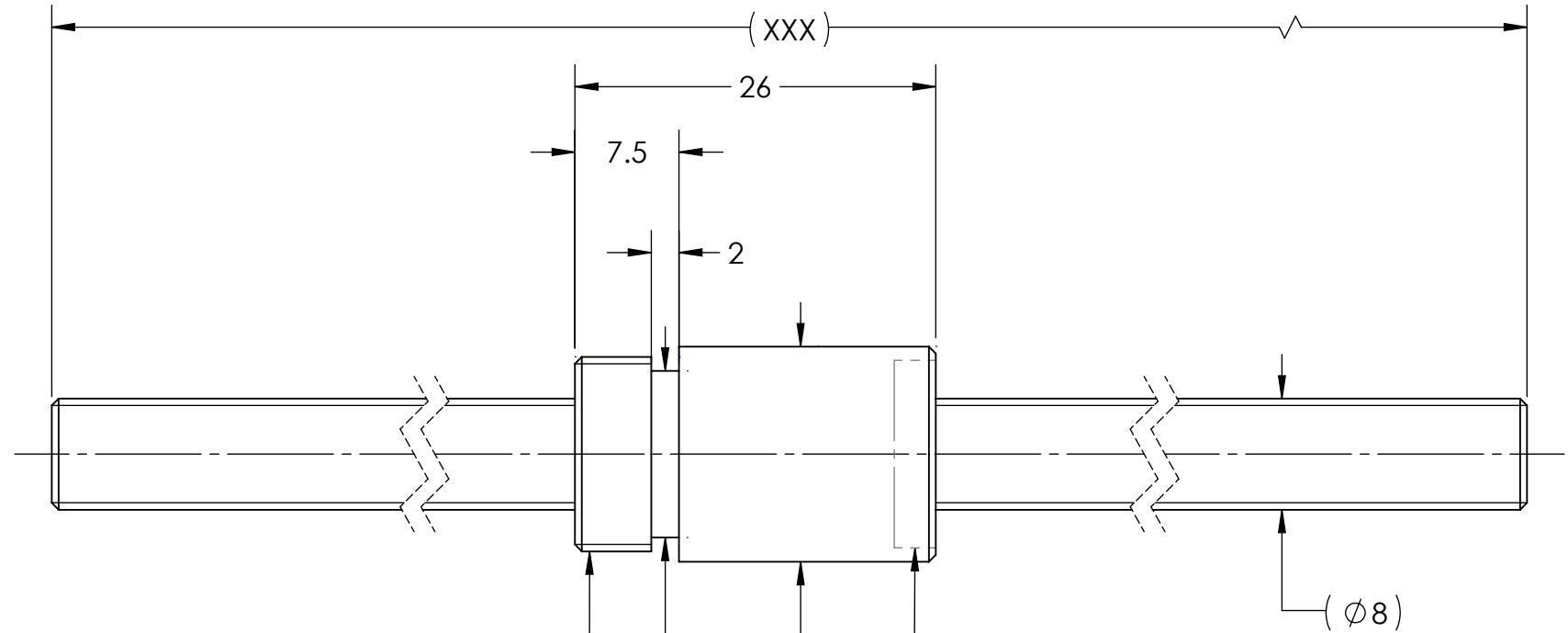
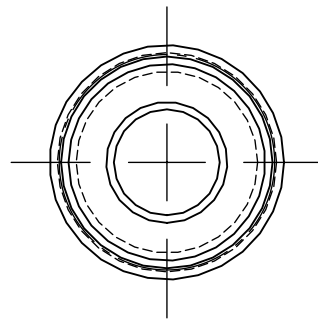


UNCONTROLLED IF PRINTED

$\sqrt{Ra6.3}$ ($\sqrt{Ra0.4}^G$)



M14 X 1P

MD: 13.974
13.794

PD: 13.324
13.206

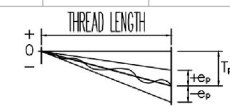
WIPER THIS END

BREAK SHARP EDGES UNLESS OTHERWISE SPECIFIED

| | |
|------------------|----------|
| PRELOAD(kgf) | ~ |
| R.D. | 6.418 |
| S.F. (kgf) | ~ |
| DRAG TRQ(kgf-cm) | ~ |
| TURN DIRECTION | R |
| P.C. DIA. | 7.98 |
| BALL DIA. | 1.5 |
| BACKLASH | 0.01 MAX |
| CIRCUIT | 3.6*1 |
| LEAD ANGLE | 4.56 |
| DYNAMIC (kgf) | 290 |
| STATIC (kgf) | 540 |
| LEAD | 2 |

| | | | | | | | | | |
|---------------------|---------------------------------|--|-------|-------|-------------------|-----------|---|------|--|
| ROUGH M/C | FIN M/C | GRD | | | | MATERIAL | SHAFT:CF53/Equiv. NUT:SNCM220/Equiv. | | |
| $\sqrt{Ra25}$ | $\sqrt{Ra6.3}$ | $\sqrt{Ra0.4}$ | | | THREAD BALL TRACK | HRC 56~62 | | | |
| TOLERANCE mm | | | | | | | | | |
| UP | 6 | 30 | 120 | 300 | 600 | 1200 | 2400 | 2400 | |
| TO | 6 | 30 | 120 | 300 | 600 | 1200 | 2400 | OVER | |
| ± 0.1 | ± 0.2 | ± 0.3 | ± 0.4 | ± 0.5 | ± 0.8 | ± 1.0 | ± 1.5 | | |
| DATE | INITIALS | HIWIN Motion Control and System Technology | | | | | HIWIN CORPORATION 12455 Jim Dhamer Dr, Huntley, IL 60142 | | |
| DRAWN | 04/27/2022 | | | | | | D.W | | |
| CHECKED | 01/17/2023 | | | | | | T.C. | | |
| MFG APPR. | 01/17/2023 | | | | | | A.H | | |
| TITLE: | STANDARD STOCK BALLSCREW | | | | | | | | |
| PART NUMBER: | R8-2C1-RSZ-XXX-XXX-0.05 | | | | | | | | |
| SIZE | DWG. NO. | REV | SCALE | NTS | | | | | |
| B | W-SBS-8-2-A02 | N/C | | | | | | | |

HIWIN CONFIDENTIAL



v300p: 0.05