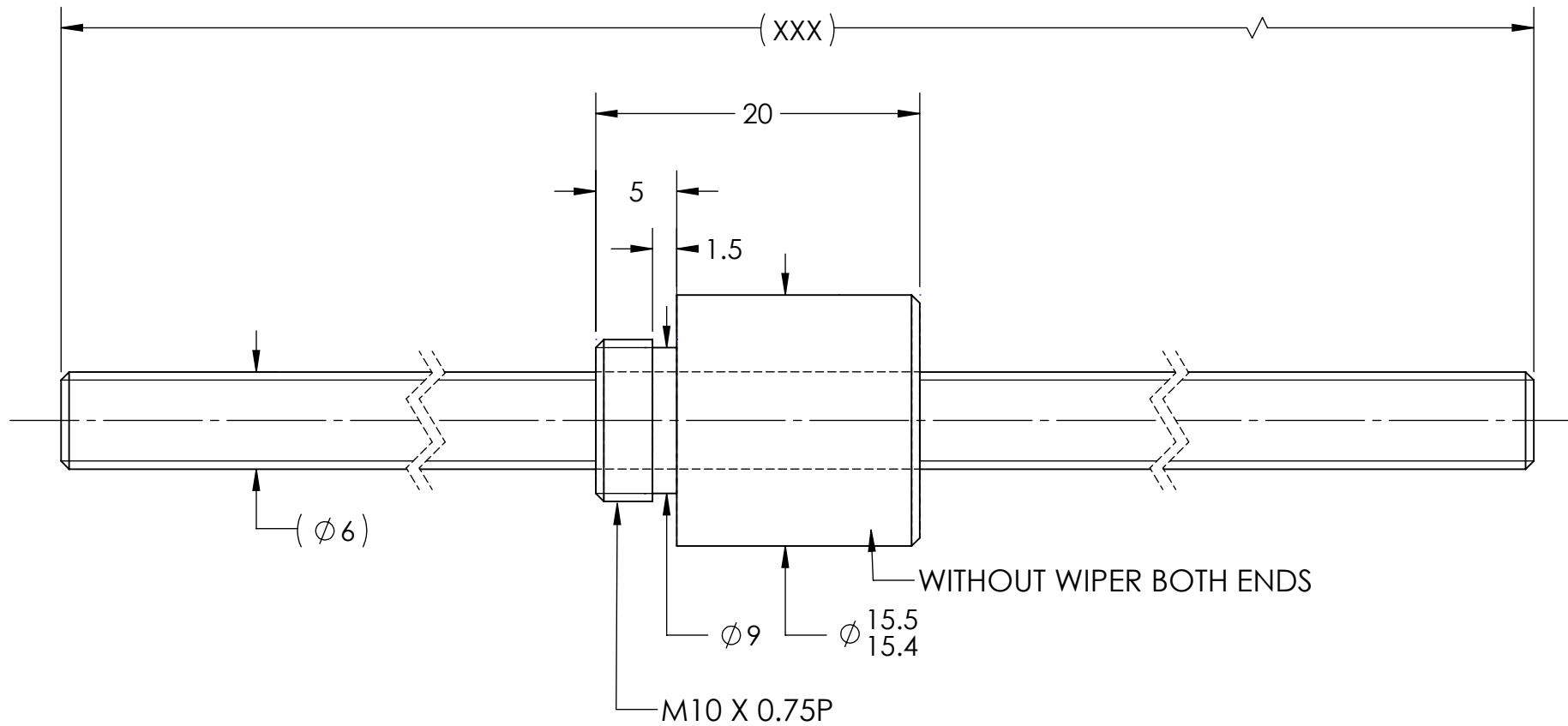
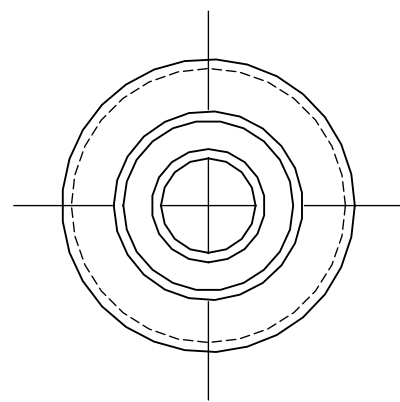


UNCONTROLLED IF PRINTED

Ra6.3 (G Ra0.4)



WITHOUT WIPER BOTH ENDS

M10 X 0.75P

9.978
MD: 9.838

9.491
PD: 9.391

BREAK SHARP EDGES UNLESS OTHERWISE SPECIFIED

PRELOAD(kgf)	~
R.D.	5.228
S.F. (kgf)	~
DRAG TRQ(kgf-cm)	~
TURN DIRECTION	R
P.C. DIA.	6.79
BALL DIA.	1.5
BACKLASH	0.01 MAX
CIRCUIT	2.6*1
LEAD ANGLE	5.36
DYNAMIC (kgf)	200
STATIC (kgf)	340
LEAD	2

ROUGH M/C	FIN M/C	GRD	MATERIAL
$\sqrt{Ra25}$	$\sqrt{Ra6.3}$	$\sqrt{Ra0.4}$	SHAFT:CF53/Equiv. NUT:SNM220/Equiv.
THREAD BALL TRACK HRC 56~62			

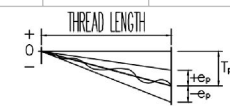
TOLERANCE mm									
UP	6	30	120	300	600	1200	2400	2400	OVER
TO	6	30	120	300	600	1200	2400	2400	OVER
TURN DIRECTION	± 0.1	± 0.2	± 0.3	± 0.4	± 0.5	± 0.8	± 1.0	± 1.5	

DATE: 04/27/2022 INITIALS: D.W. HIWIN CORPORATION 12455 Jim Dhamer Dr, Huntley, IL 60142

CHECKED: 01/17/2023 T.C. TITLE: STANDARD STOCK BALLSCREW

MFG APPR: 01/17/2023 A.H. PART NUMBER: R6-2B1-RSZ-XXX-XXX-0.05

SIZE	DWG. NO.	REV	SCALE	NTS
B	W-SBS-6-2-A02	N/C		



v300p: 0.05

HIWIN CONFIDENTIAL