

UNCONTROLLED IF PRINTED

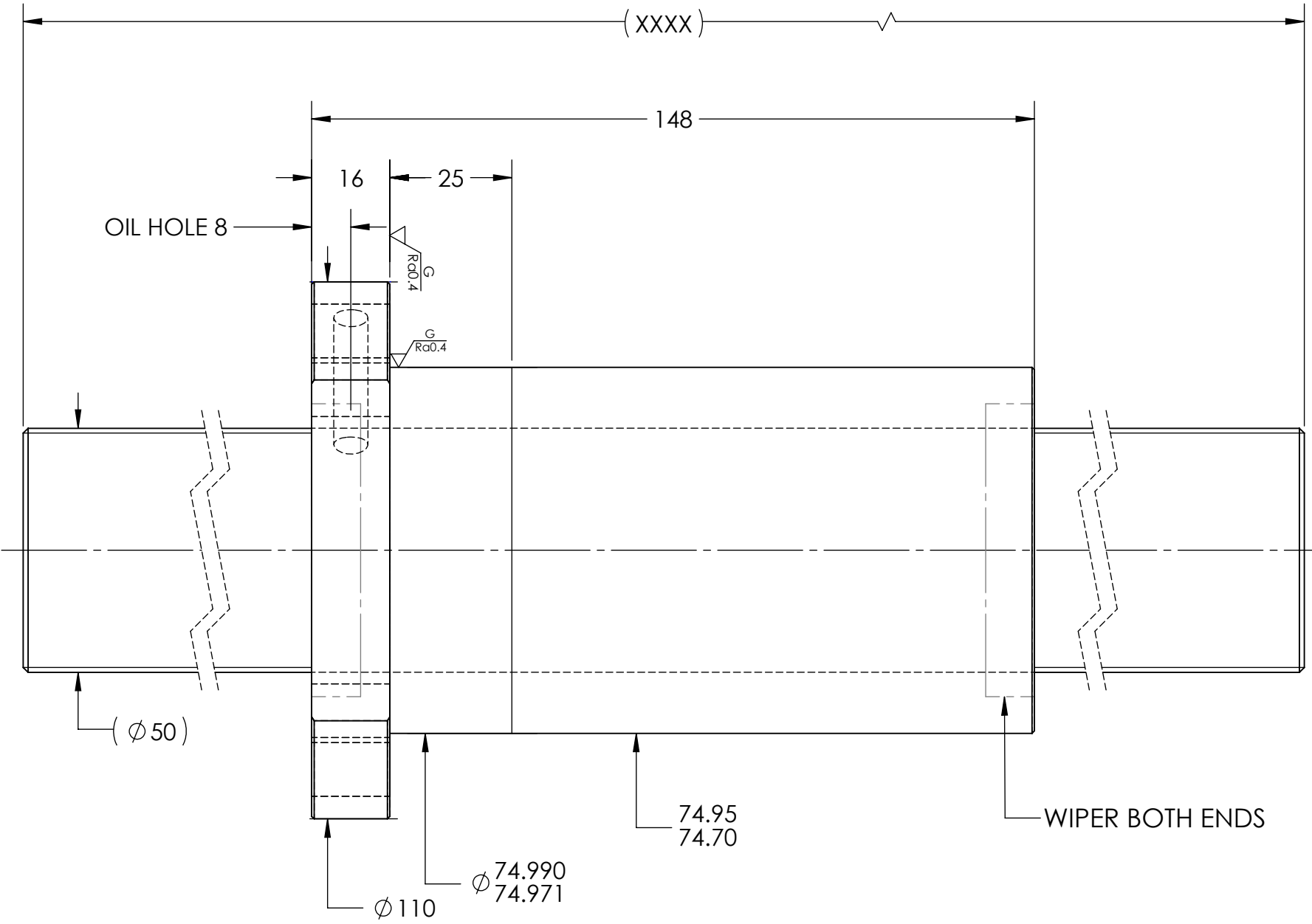
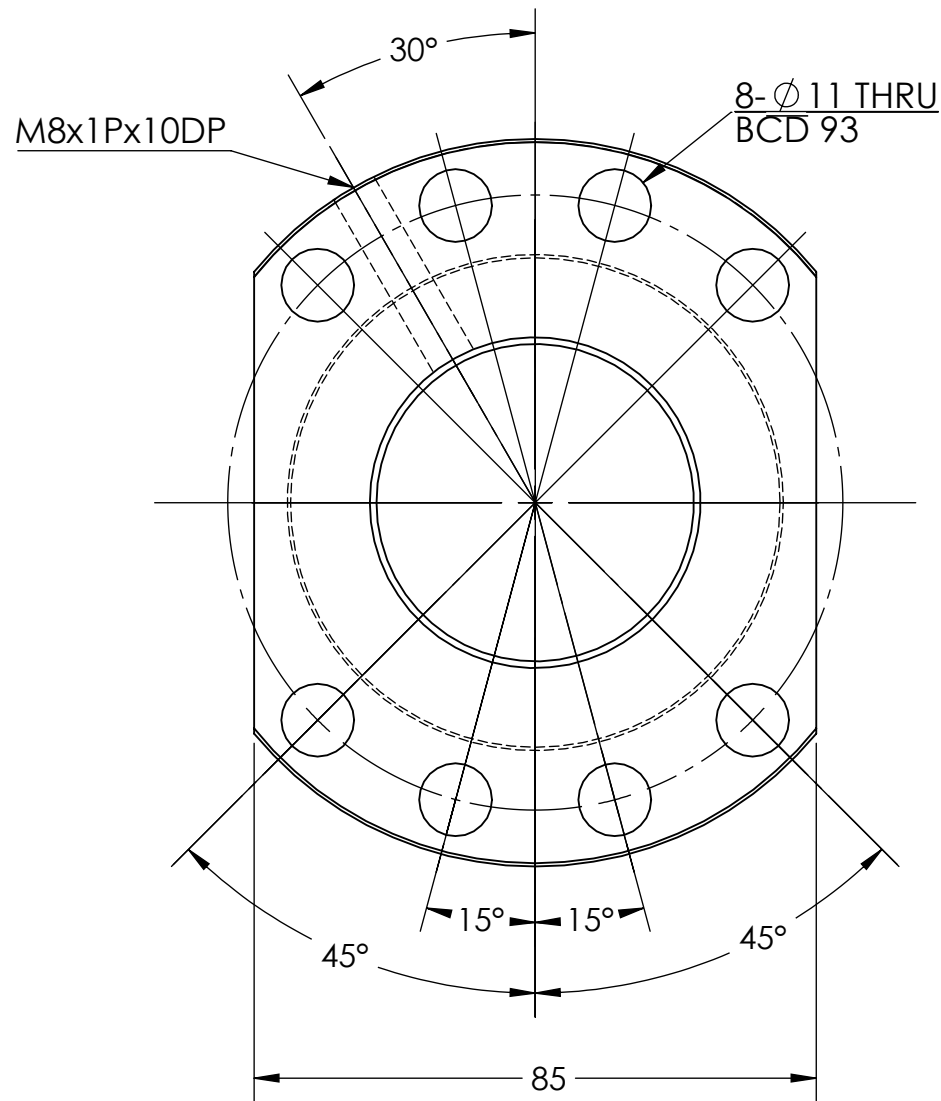
Ra6.3  
G  
Ra0.4

D

C

B

A



D

C

B

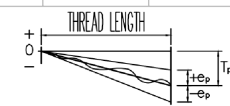
A

HIWIN CONFIDENTIAL

**BREAK SHARP EDGES UNLESS OTHERWISE SPECIFIED**

PRELOAD(kgf)	~
R.D.	45.46
S.F. (kgf)	~
DRAG TRQ(kgf-cm)	~
TURN DIRECTION	R
P.C. DIA.	51.95
BALL DIA.	6.35
BACKLASH	0.07 MAX
CIRCUIT	6
LEAD ANGLE	6.99
DYNAMIC (kgf)	7390
STATIC (kgf)	25210
LEAD/PITCH	20/10

ROUGH M/C	FIN M/C	GRD	MATERIAL		SHAFT:CF53/Equiv.	
$\sqrt{Ra25}$	$\sqrt{Ra6.3}$	$\sqrt{Ra0.4}$	NUT:SNM220/Equiv.		HRC 56~62	
<b>TOLERANCE mm</b>						
UP	6	30	120	300	600	1200
TO	6	30	120	300	600	1200
	± 0.1	± 0.2	± 0.3	± 0.4	± 0.5	± 1.0
						± 1.5
DATE	INITIALS	HIWIN CORPORATION 12455 Jim Dhamer Dr, Huntley, IL 60142				
DRAWN	D.W					
CHECKED	T.C.					
MFG APPR.	A.H					
TITLE: <b>STANDARD STOCK BALLSCREW</b>						
PART NUMBER: <b>2R50-20K6-FSC-XXXX-XXXX-0.05</b>						
SIZE	DWG. NO.	REV	SCALE	NTS		
B	W-SBS-50-20-A01	N/C				



v300p: