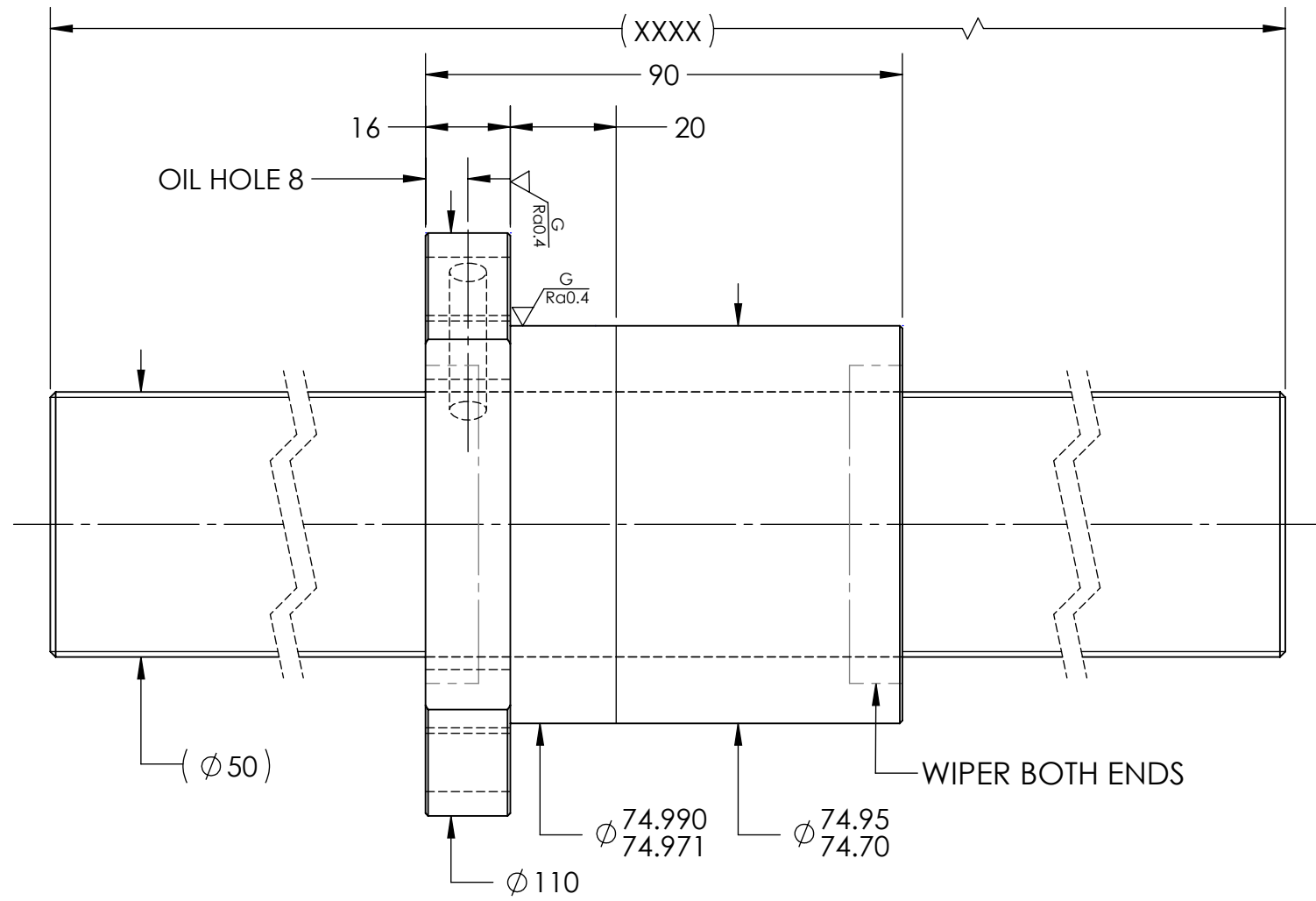
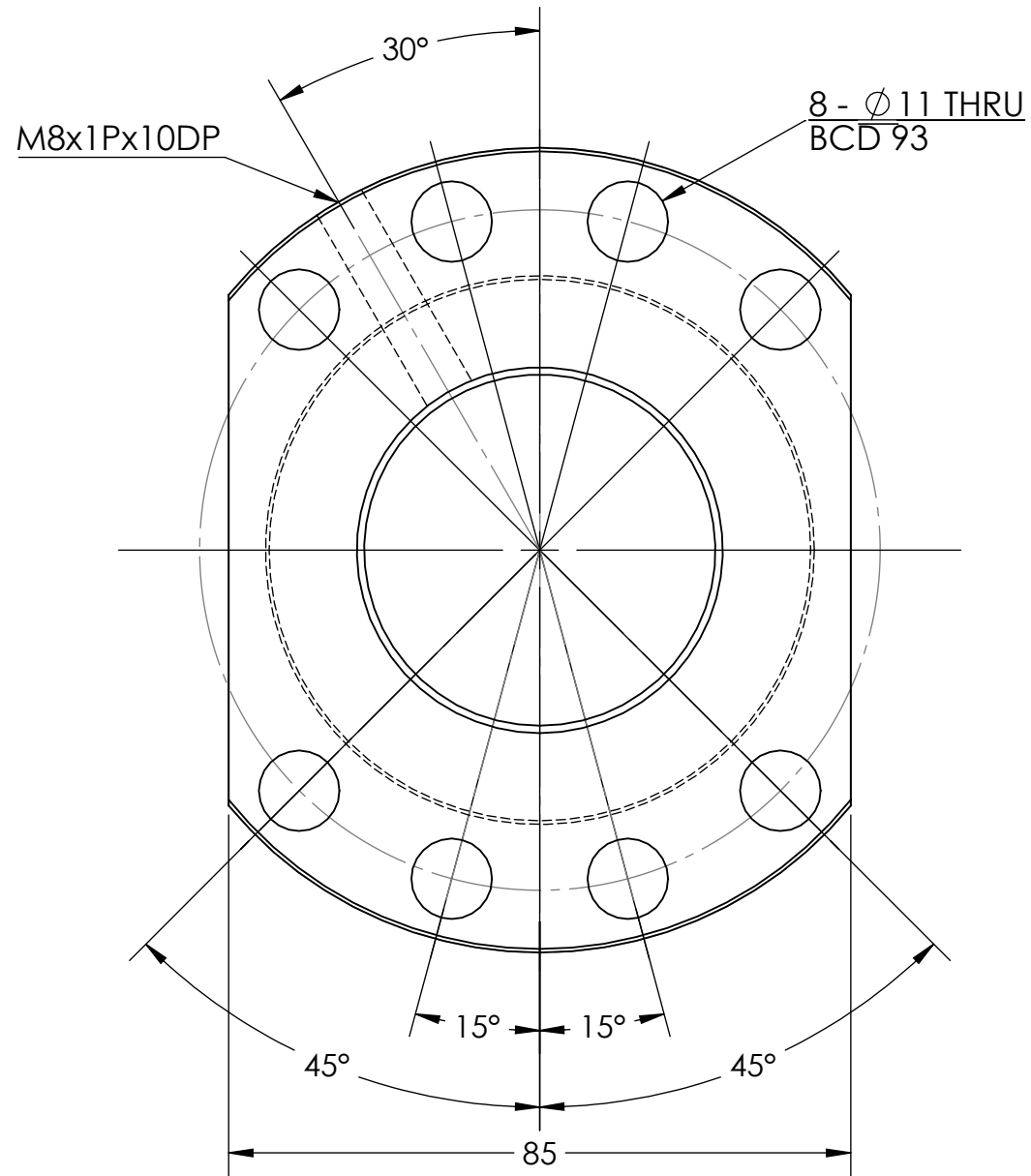


UNCONTROLLED IF PRINTED

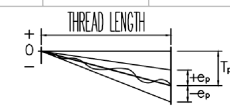
$\sqrt{Ra6.3}$ $\sqrt{Ra0.4}$



BREAK SHARP EDGES UNLESS OTHERWISE SPECIFIED

PRELOAD(kgf)	~
R.D.	45.44
S.F. (kgf)	~
DRAG TRQ(kgf-cm)	~
TURN DIRECTION	R
P.C. DIA.	51.93
BALL DIA.	6.35
BACKLASH	0.07 MAX
CIRCUIT	6
LEAD ANGLE	3.51
DYNAMIC (kgf)	7450
STATIC (kgf)	25350
LEAD	10

ROUGH M/C	FIN M/C	GRD	MATERIAL		SHAFT:CF53/Equiv.	
$\sqrt{Ra25}$	$\sqrt{Ra6.3}$	$\sqrt{Ra0.4}$	NUT:SNM220/Equiv.		HRC 56-62	
TOLERANCE mm						
UP	6	30	120	300	600	1200
TO	6	30	120	300	600	1200
TURN DIRECTION	± 0.1	± 0.2	± 0.3	± 0.4	± 0.5	± 0.8
TURN DIRECTION	± 1.0	± 1.0	± 1.0	± 1.0	± 1.0	± 1.5
DATE	INITIALS	HIWIN CORPORATION 12455 Jim Dhamer Dr, Huntley, IL 60142				
DRAWN	D.W					
CHECKED	T.C.					
MFG APPR.	A.H					
TITLE: STANDARD STOCK BALLSCREW						
PART NUMBER: R50-10K6-FSC-XXXX-XXXX-0.05						
SIZE	DWG. NO.	REV	SCALE	NTS		
B	W-SBS-50-10-A01	N/C				



HIWIN CONFIDENTIAL