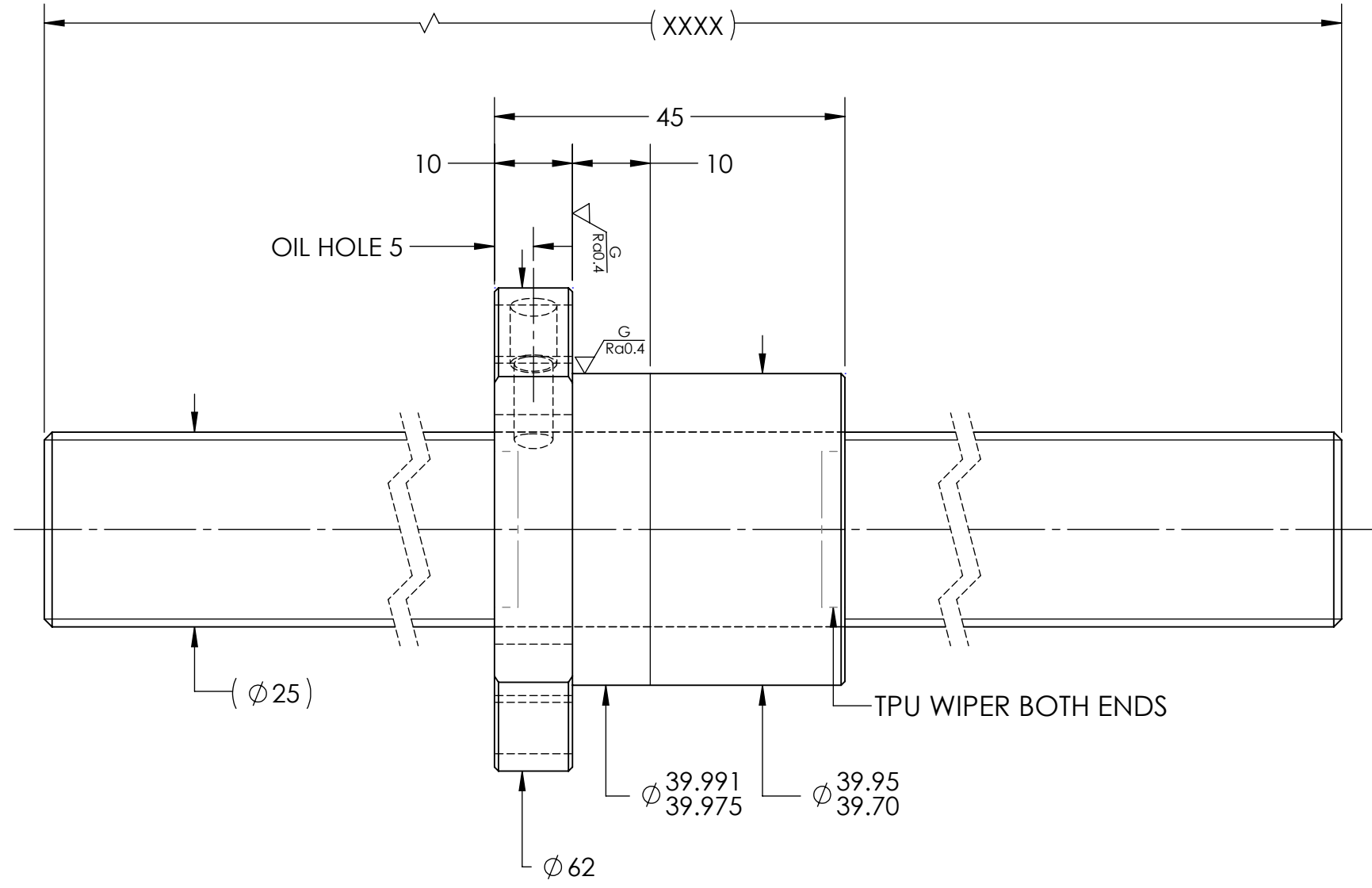
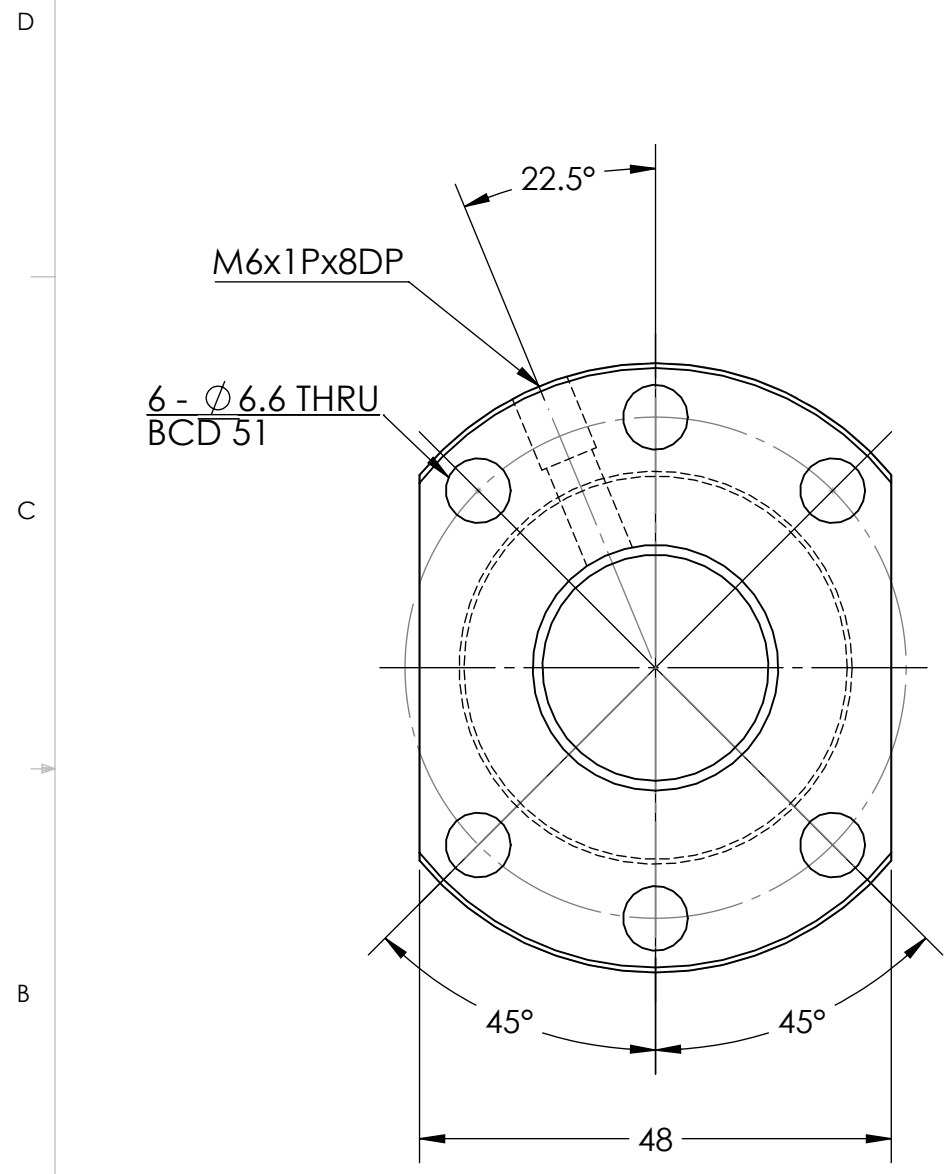


UNCONTROLLED IF PRINTED

$\sqrt{Ra6.3}$ ($\sqrt{Ra0.4}$)



BREAK SHARP EDGES UNLESS OTHERWISE SPECIFIED

ROUGH M/C	FIN M/C	GRD		MATERIAL	SHAFT:CF53/Equiv. NUT:SNM220/Equiv.
$\sqrt{Ra25}$	$\sqrt{Ra6.3}$	$\sqrt{Ra0.4}$		THREAD BALL TRACK	HRC 56-62
TOLERANCE mm					
UP	6	30	120	300	600
TO	6	30	120	300	600
					1200
					2400
					OVER
TURN DIRECTION	R				
	± 0.1	± 0.2	± 0.3	± 0.4	± 0.5
					± 0.8
					± 1.0
					± 1.5
P.C. DIA.	24.56	DATE	INITIALS	HIWIN CORPORATION 12455 Jim Dhamer Dr, Huntley, IL 60142	
BALL DIA.	3	DRAWN	D.W		
BACKLASH	0.03 MAX	CHECKED	T.C.		
CIRCUIT	4	MFG APPR.	A.H		
LEAD ANGLE	3.71			TITLE:	
DYNAMIC (kgf)	1670			PART NUMBER:	
STATIC (kgf)	3700			R25-5K4-FSCEW-XXXX-XXXX-0.05	
LEAD	5	SIZE	DWG. NO.	REV	SCALE
		B	W-SBS-25-5-A02	N/C	NTS

HIWIN CONFIDENTIAL