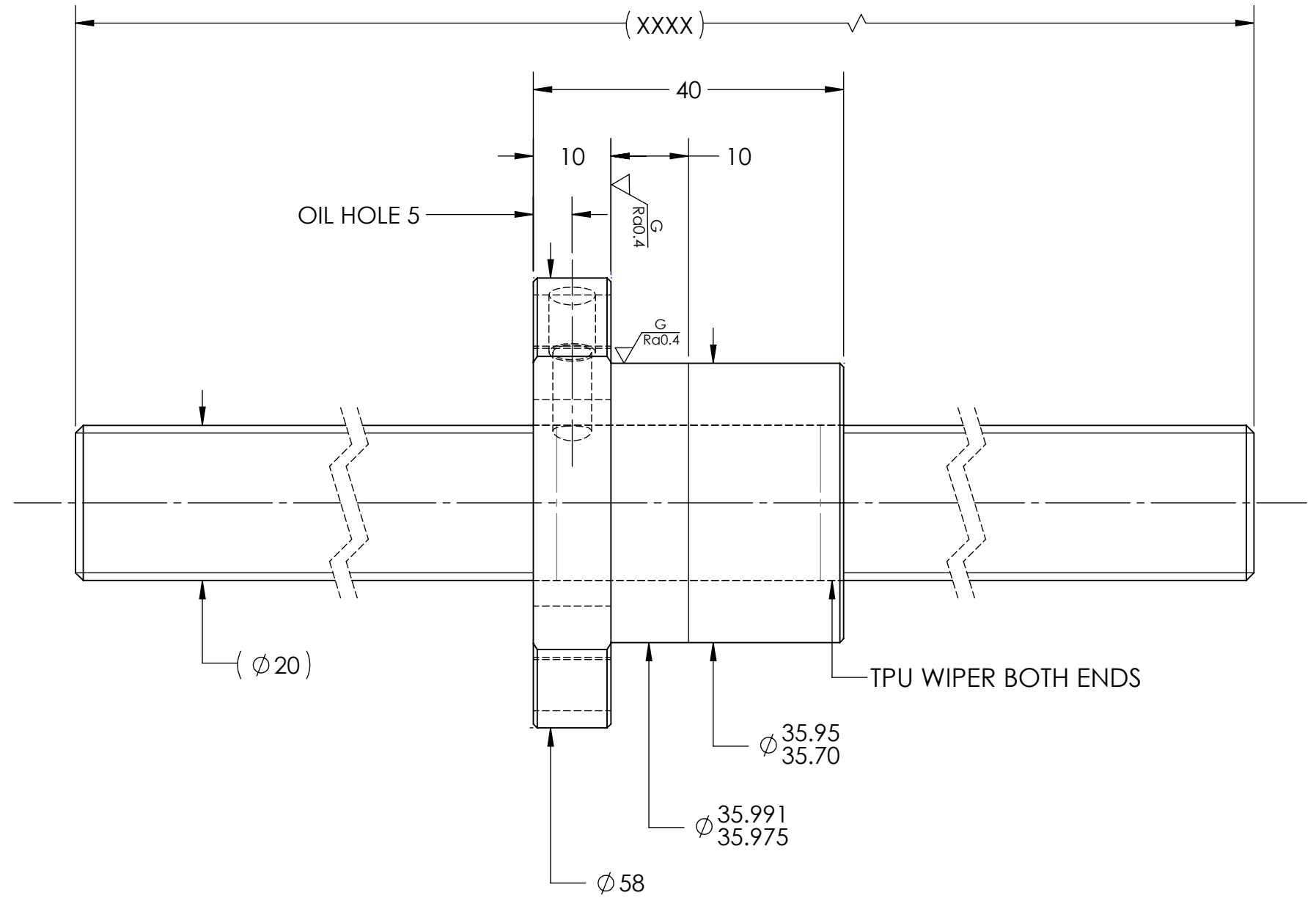
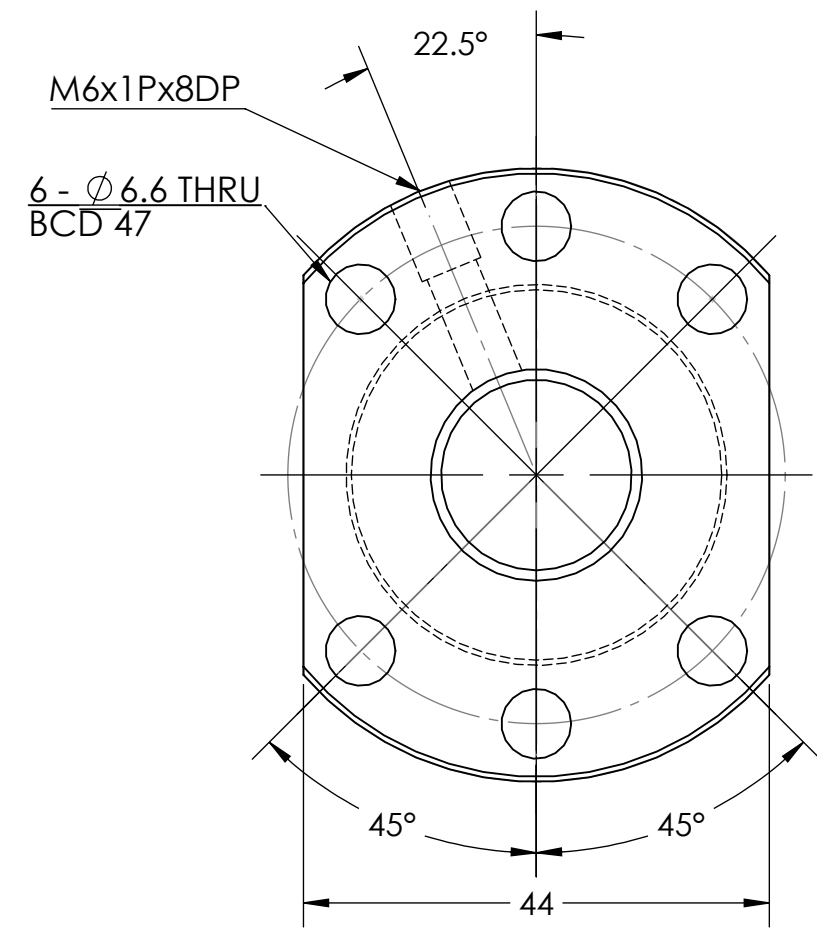


UNCONTROLLED IF PRINTED

$\sqrt{Ra6.3}$ ($\sqrt{G/Ra0.4}$)



BREAK SHARP EDGES UNLESS OTHERWISE SPECIFIED

PRELOAD(kgf)	~	ROUGH M/C	FIN M/C	GRD		MATERIAL	SHAFT:CF53/Equiv. NUT:SNM220/Equiv.				
R.D.	16.789	$\sqrt{Ra25}$	$\sqrt{Ra6.3}$	$\sqrt{Ra0.4}$		THREAD BALL TRACK	HRC 56~62				
S.F. (kgf)	~	TOLERANCE mm									
DRAG TRQ(kgf-cm)	~	UP	6	30	120	300	600	1200	2400	2400	OVER
TURN DIRECTION	R	TO	6	30	120	300	600	1200	2400	2400	OVER
P.C. DIA.	19.92	± 0.1	± 0.2	± 0.3	± 0.4	± 0.5	± 0.8	± 1.0	± 1.5		
BALL DIA.	3	DATE		INITIALS	 HIWIN CORPORATION 12455 Jim Dhamer Dr, Huntley, IL 60142 TITLE: STANDARD STOCK BALLSCREW PART NUMBER: R20-5K4-FSCEW-XXXX-XXXX-0.05						
BACKLASH	0.03 MAX	DRAWN	11/21/2022	D.W							
CIRCUIT	4	CHECKED	01/18/2023	T.C.							
LEAD ANGLE	4.57	MFG APPR.	01/18/2023	A.H							
DYNAMIC (kgf)	1500	THREAD LENGTH			SIZE	DWG. NO.	REV	SCALE	NTS		
STATIC (kgf)	2930	v300p:	B	W-SBS-20-5-A03	N/C						
LEAD	5										

HIWIN CONFIDENTIAL