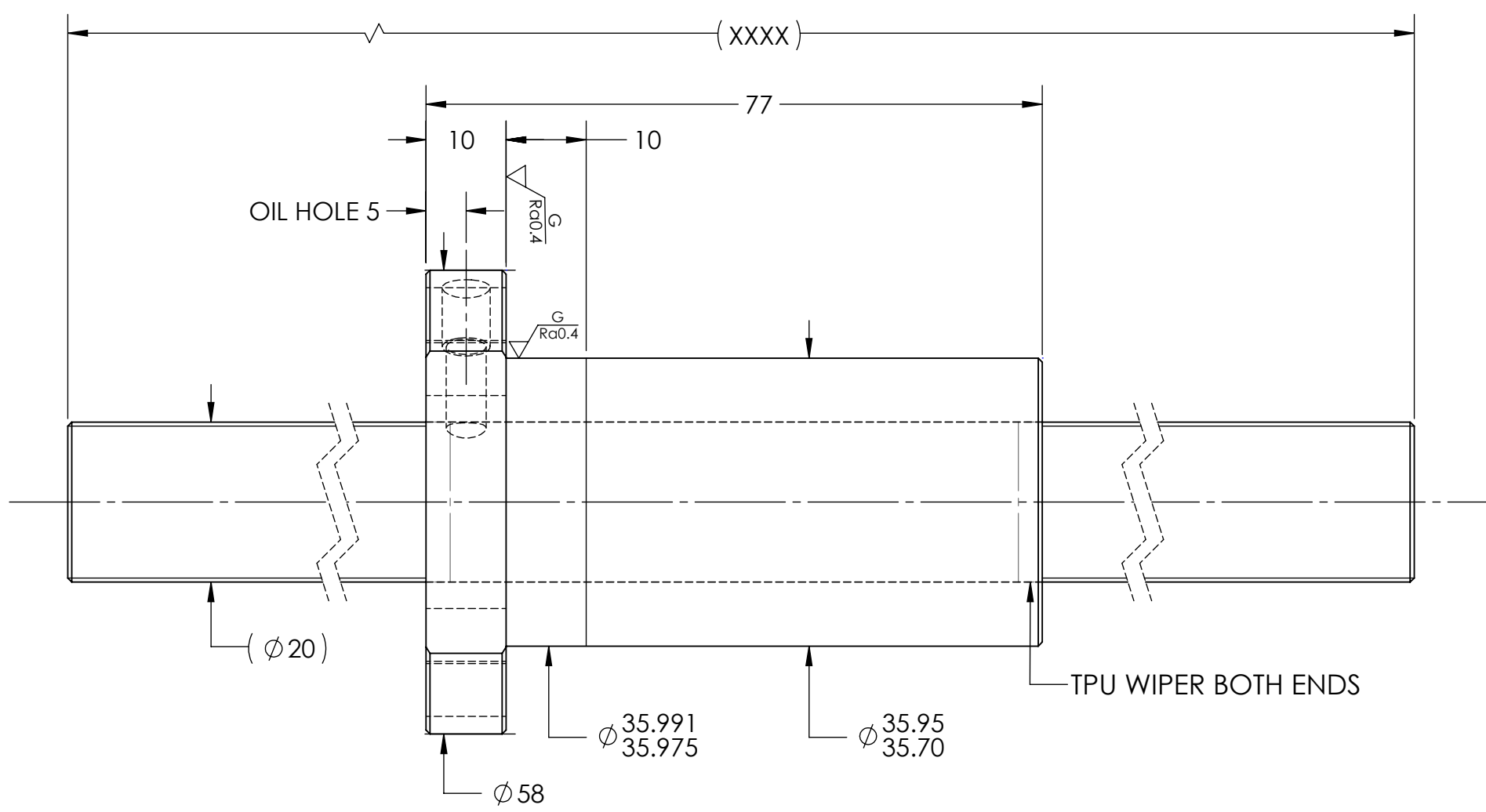
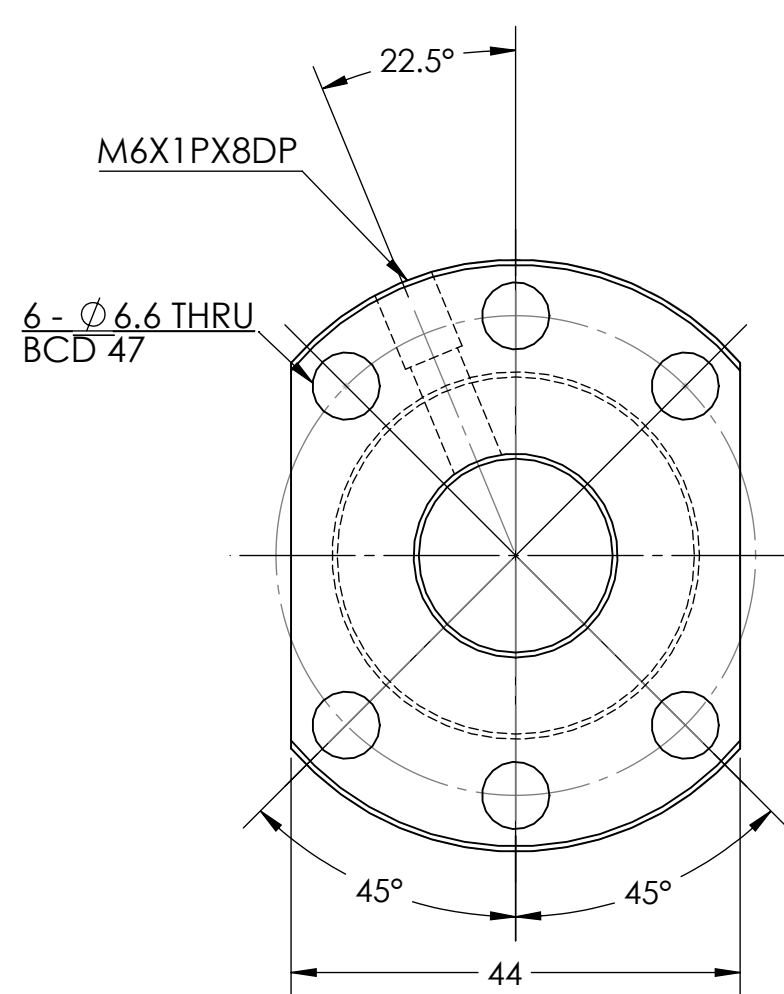


UNCONTROLLED IF PRINTED

▽ Ra6.3 (▽ Ra0.4)^G

D
C
B
A

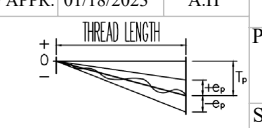
D
C
B
A



BREAK SHARP EDGES UNLESS OTHERWISE SPECIFIED

PRELOAD(kgf)	~
R.D.	17.084
S.F. (kgf)	~
DRAG TRQ(kgf-cm)	~
TURN DIRECTION	R
P.C. DIA.	20.36
BALL DIA.	3.175
BACKLASH	0.04 MAX
CIRCUIT	3
LEAD ANGLE	17.36
DYNAMIC (kgf)	1250
STATIC (kgf)	2420
LEAD/PITCH	20/5

ROUGH M/C	FIN M/C	GRD	MATERIAL		SHAFT:CF53/Equiv. NUT:SNCM220/Equiv.				
▽ Ra25	▽ Ra6.3	▽ Ra0.4	THREAD BALL TRACK		HRC 56-62				
TOLERANCE mm									
UP	6	30	120	300	600	1200	2400	2400	
TO	6	30	120	300	600	1200	2400	OVER	
TURN DIRECTION	± 0.1	± 0.2	± 0.3	± 0.4	± 0.5	± 0.8	± 1.0	± 1.5	
DATE	INITIALS	<div style="display: flex; align-items: center;"> <div> <p>HIWIN CORPORATION</p> <p>12455 Jim Dhamer Dr, Huntley, IL 60142</p> </div> </div>							
DRAWN	D.W								
CHECKED	T.C.								
MFG APPR.	A.H								
TITLE:			STANDARD STOCK BALLSCREW						
PART NUMBER:			4R20-20K3-FSCEW-XXXX-XXXX-0.05						
SIZE	DWG. NO.	REV	SCALE	NTS					
B	W-SBS-20-20-A01	N/C							



HIWIN CONFIDENTIAL

8 7 6 5 4 3 2 1