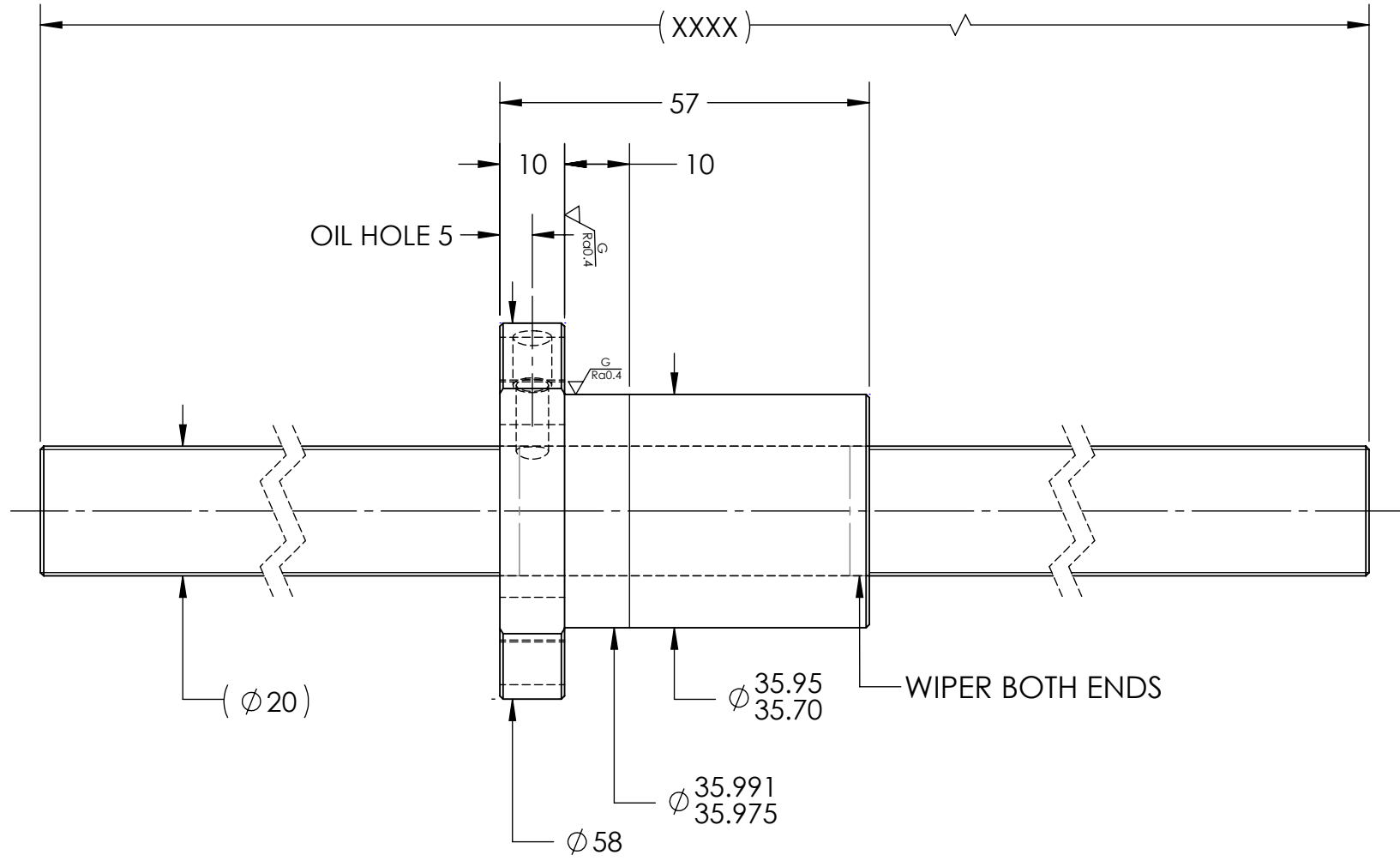
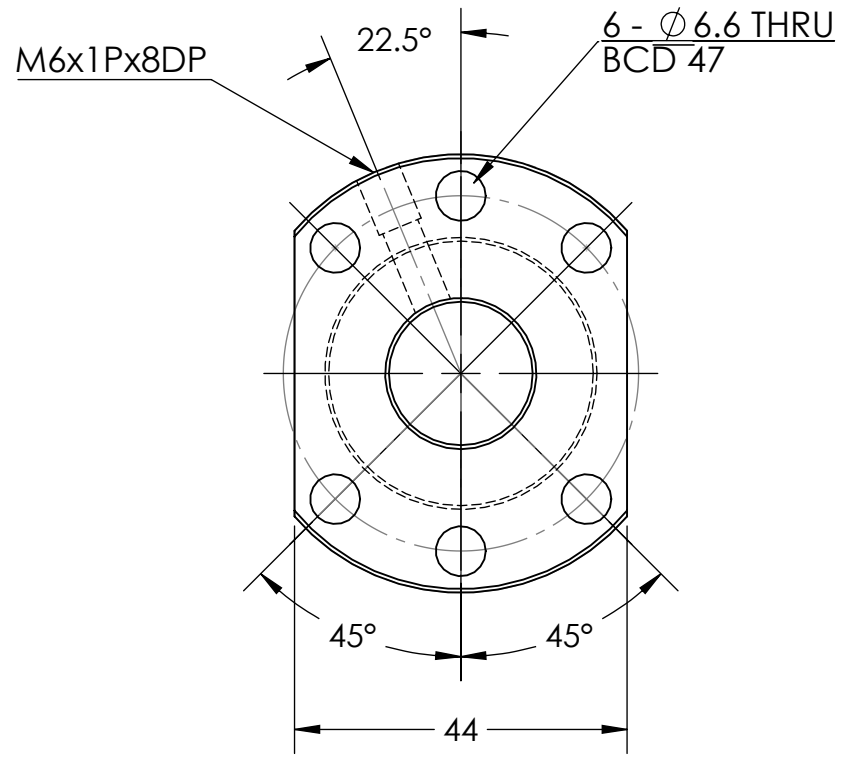


UNCONTROLLED IF PRINTED

$\sqrt{Ra6.3}$  ( $\sqrt{G Ra0.4}$ )

D  
C  
B  
A



D  
C  
B  
A

**BREAK SHARP EDGES UNLESS OTHERWISE SPECIFIED**

PRELOAD(kgf)	~
R.D.	16.624
S.F. (kgf)	~
DRAG TRQ(kgf-cm)	~
TURN DIRECTION	R
P.C. DIA.	19.9
BALL DIA.	3.175
BACKLASH	0.04 MAX
CIRCUIT	4
LEAD ANGLE	9.09
DYNAMIC (kgf)	1280
STATIC (kgf)	3070
LEAD	10

ROUGH M/C	FIN M/C	GRD		MATERIAL	SHAFT:CF53/Equiv. NUT:SNM220/Equiv.			
$\sqrt{Ra25}$	$\sqrt{Ra6.3}$	$\sqrt{Ra0.4}$		THREAD BALL TRACK	HRC 56~62			
<b>TOLERANCE mm</b>								
UP	6	30	120	300	600	1200	2400	2400
TO	6	30	120	300	600	1200	2400	OVER
	± 0.1	± 0.2	± 0.3	± 0.4	± 0.5	± 0.8	± 1.0	± 1.5
DATE	INITIALS	<b>HIWIN CORPORATION</b> 12455 Jim Dhamer Dr, Huntley, IL 60142						
DRAWN	D.W							
CHECKED	T.C.							
MFG APPR.	A.H							
TITLE: <b>STANDARD STOCK BALLSCREW</b>								
PART NUMBER: <b>R20-10K4-FSC-XXXX-XXXX-0.05</b>								
SIZE	DWG. NO.	REV	SCALE	NTS				
B	W-SBS-20-10-A03	N/C						

HIWIN CONFIDENTIAL

8 7 6 5 4 3 2 1