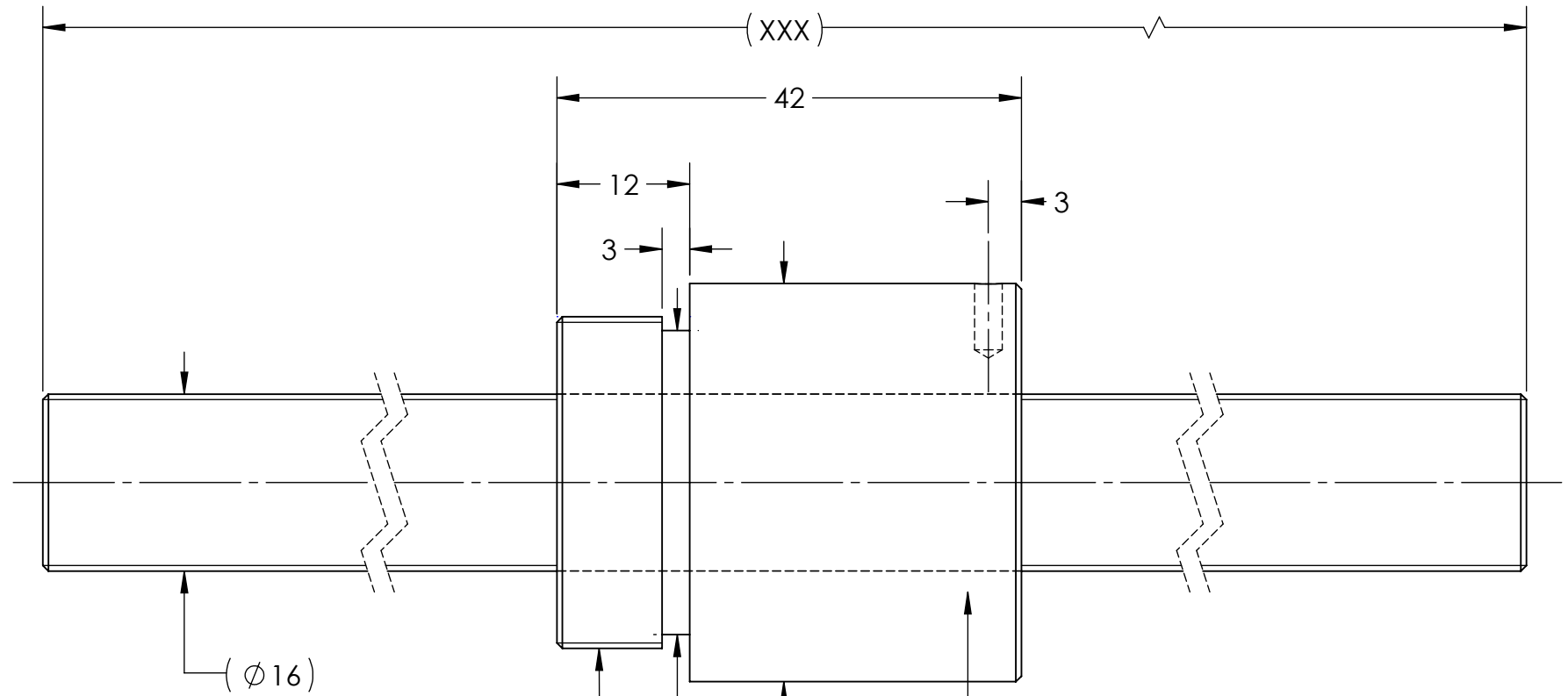
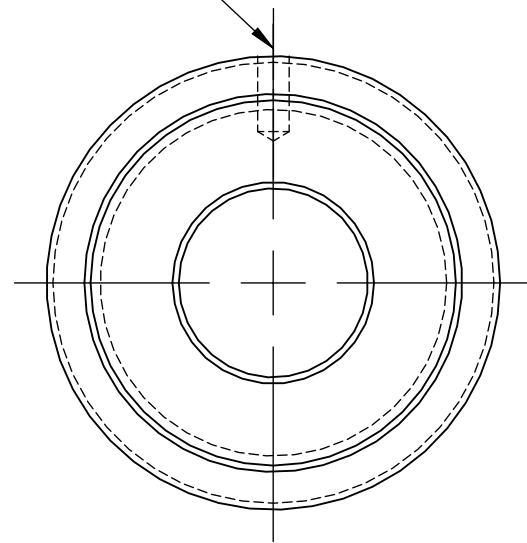


UNCONTROLLED IF PRINTED

Ra6.3 (Ra0.4)

M3x0.5Px3DP



M30 X 1.5P  
 MD: 29.968  
 29.732  
 PD: 28.994  
 28.844

WITHOUT WIPER BOTH ENDS

<b>BREAK SHARP EDGES UNLESS OTHERWISE SPECIFIED</b>									
ROUGH M/C	FIN M/C	GRD	MATERIAL		SHAFT:CF53/Equiv. NUT:SNM220/Equiv.				
$\sqrt{Ra25}$	$\sqrt{Ra6.3}$	$\sqrt{Ra0.4}$	THREAD BALL TRACK		HRC 56~62				
<b>TOLERANCE mm</b>									
UP	6	30	120	300	600	1200	2400	2400	
TO	6	30	120	300	600	1200	2400	OVER	
TURN DIRECTION	R	$\pm 0.1$	$\pm 0.2$	$\pm 0.3$	$\pm 0.4$	$\pm 0.5$	$\pm 0.8$	$\pm 1.0$	$\pm 1.5$
P.C. DIA.	16.175	DATE		INITIALS	HIWIN CORPORATION				
BALL DIA.	3.175	DRAWN	09/30/2022	D.W	12455 Jim Dhamer Dr, Huntley, IL 60142				
BACKLASH	0.03 MAX	CHECKED	01/17/2023	T.C.	TITLE:				
CIRCUIT	2.6*1	MFG APPR.	01/17/2023	A.H	STANDARD STOCK BALLSCREW				
LEAD ANGLE	5.62	v300p:			PART NUMBER:				
DYNAMIC (kgf)	860				R16-5B1-RSZ-XXX-XXX-0.05				
STATIC (kgf)	1760	SIZE	DWG. NO.		REV	SCALE	NTS		
LEAD	5	B	W-SBS-16-5-A02		N/C				

HIWIN CONFIDENTIAL