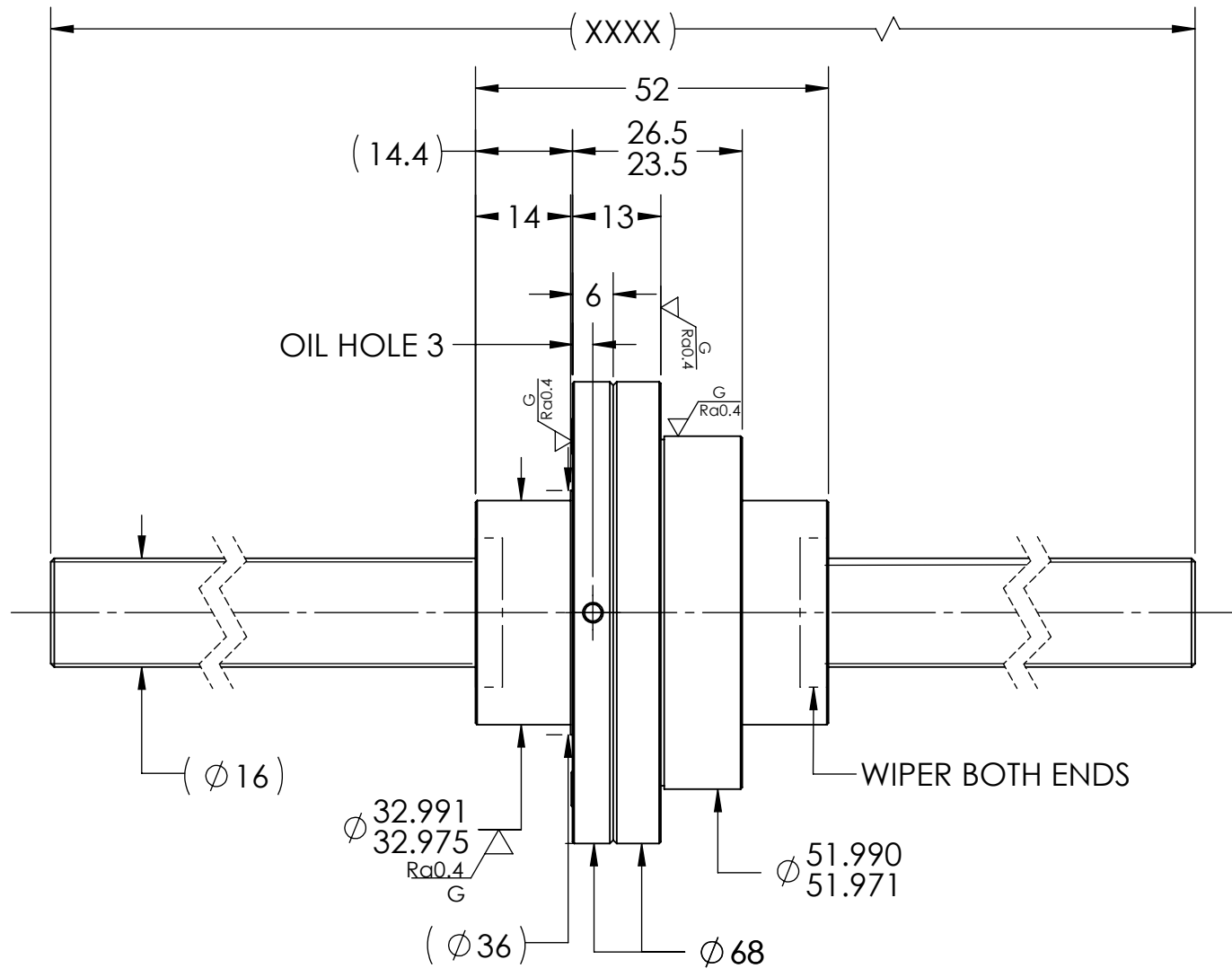
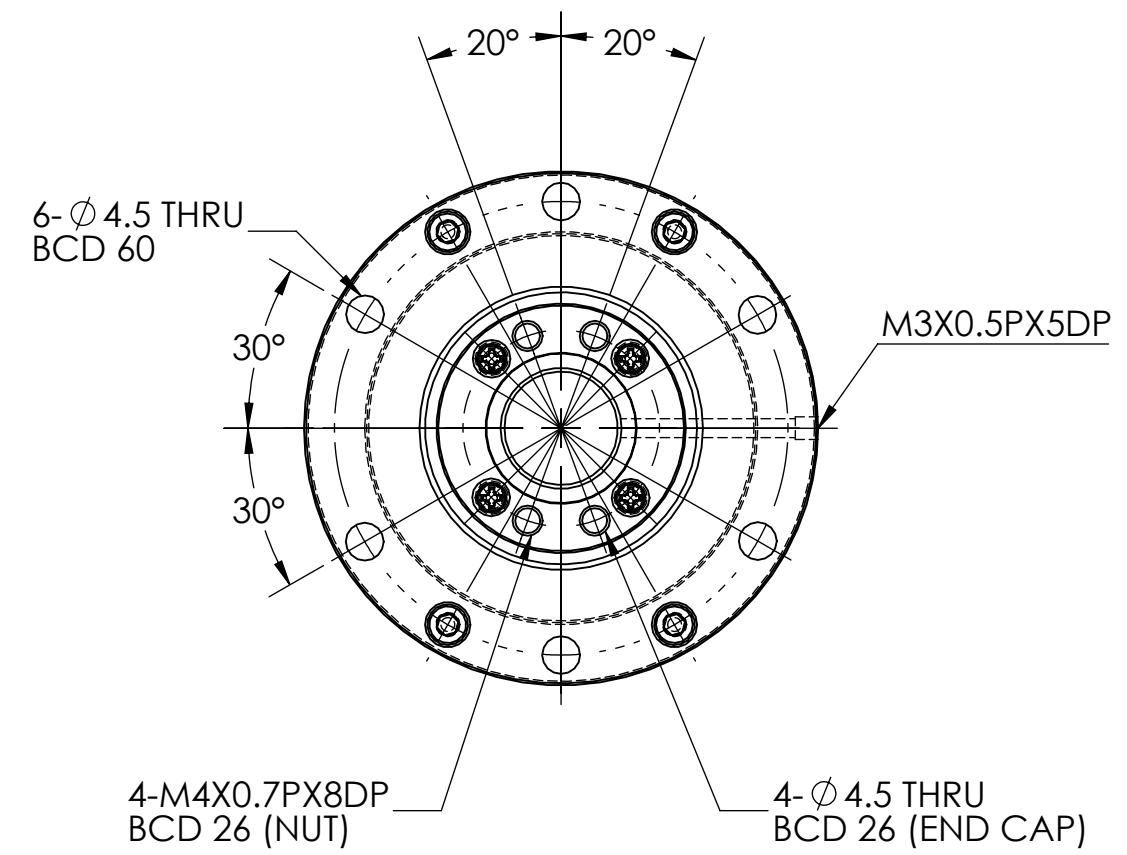


UNCONTROLLED IF PRINTED

$\sqrt{Ra6.3}$ ($\sqrt{Ra0.4}^G$)

D
C
B
A



DYNAMIC (BEARING) (kgf)	1299	BREAK SHARP EDGES UNLESS OTHERWISE SPECIFIED									
STATIC (BEARING) (kgf)	1826	ROUGH M/C	FIN M/C	GRD		MATERIAL	SHAFT:CF53/Equiv. NUT:SNM220/Equiv.				
PRELOAD(kgf)	~	$\sqrt{Ra25}$	$\sqrt{Ra6.3}$	$\sqrt{Ra0.4}$		THREAD BALL TRACK	HRC 56~62				
R.D.	13.344	TOLERANCE mm									
S.F. (kgf)	~	UP	6	30	120	300	600	1200	2400	2400	
DRAG TRQ(kgf-cm)	~	TO	6	30	120	300	600	1200	2400	OVER	
TURN DIRECTION	R	± 0.1	± 0.2	± 0.3	± 0.4	± 0.5	± 0.8	± 1.0	± 1.5		
P.C. DIA.	16.62	DATE	INITIALS	HIWIN HIWIN CORPORATION							
BALL DIA.	3.175	DRAWN	D.W	Motion Control and System Technology 12455 Jim Dhamer Dr, Huntley, IL 60142							
BACKLASH	0.04 MAX	CHECKED	T.C.	TITLE: STANDARD STOCK BALLSCREW							
CIRCUIT	1.8*2	MFG APPR.	A.H	PART NUMBER: 4R16-16S2-DFSHR1-XXX-XXX-0.05							
LEAD ANGLE	17.04			SIZE	DWG. NO.	REV	SCALE	1:1			
DYNAMIC (kgf)	708	v300p:		B	W-SBS-16-16-A02	N/C					
STATIC (kgf)	1382										
LEAD/PITCH	16/4										

HIWIN CONFIDENTIAL

8 7 6 5 4 3 2 1