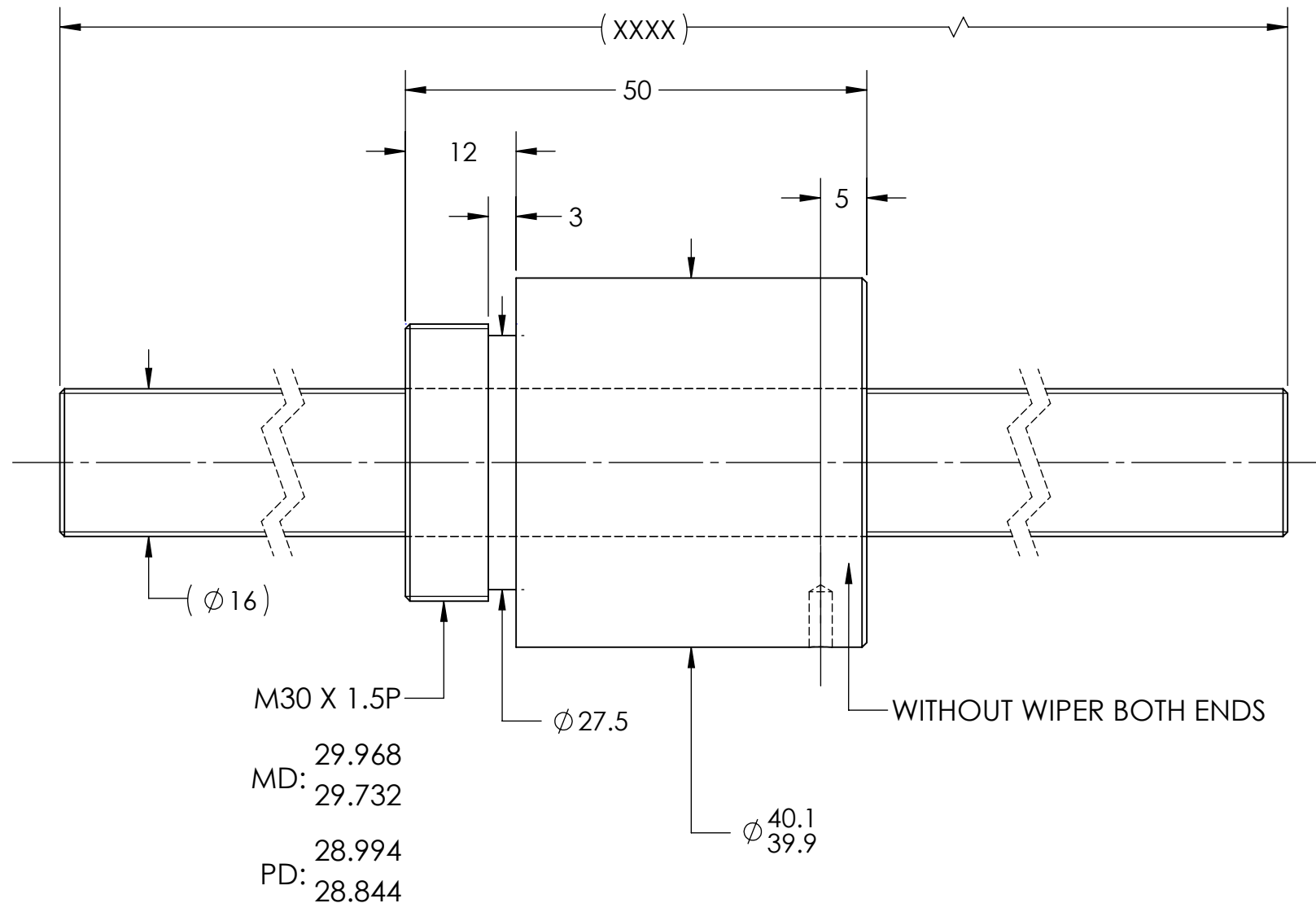
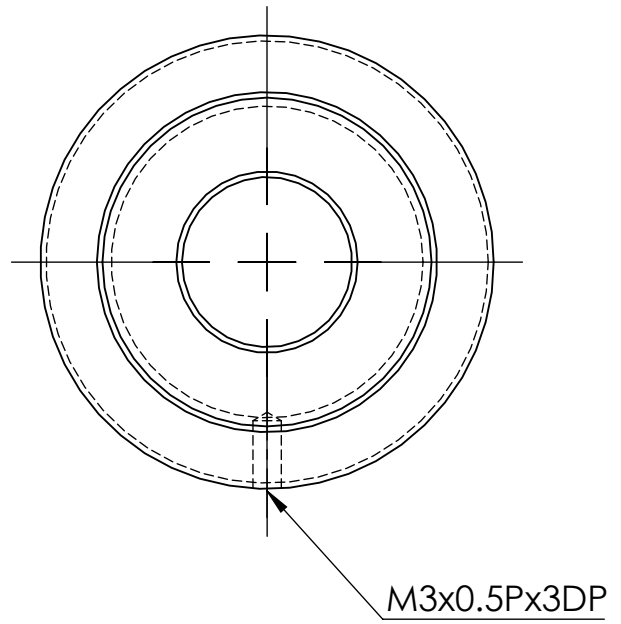


UNCONTROLLED IF PRINTED

Ra6.3 (Ra0.4)



M30 X 1.5P  
 MD: 29.968  
 MD: 29.732  
 PD: 28.994  
 PD: 28.844

BREAK SHARP EDGES UNLESS OTHERWISE SPECIFIED											
ROUGH M/C	FIN M/C	GRD	MATERIAL		SHAFT:CF53/Equiv. NUT:SNCM220/Equiv.						
$\sqrt{Ra25}$	$\sqrt{Ra6.3}$	$\sqrt{Ra0.4}$	THREAD BALL TRACK		HRC 56~62						
<b>TOLERANCE mm</b>											
UP	6	30	120	300	600	1200	2400	OVER			
TO	6	30	120	300	600	1200	2400	OVER			
TURN DIRECTION	R	± 0.1	± 0.2	± 0.3	± 0.4	± 0.5	± 0.8	± 1.0	± 1.5		
P.C. DIA.	16.62	DATE	INITIALS	HIWIN CORPORATION 12455 Jim Dhamer Dr, Huntley, IL 60142							
BALL DIA.	3.175	DRAWN	07/14/2022	D.W	TITLE:						
BACKLASH	0.04 MAX	CHECKED	01/17/2023	T.C.	STANDARD STOCK BALLSCREW						
CIRCUIT	1.5*2	MFG APPR.	01/17/2023	A.H	PART NUMBER:						
LEAD ANGLE	17.04				4R16-16A2-DRSB-XXX-XXX-0.05						
DYNAMIC (kgf)	703	SIZE	DWG. NO.			REV	SCALE		NTS		
STATIC (kgf)	1376	B	W-SBS-16-16-A01			N/C					
LEAD/PITCH	16/4	v300p:									

HIWIN CONFIDENTIAL