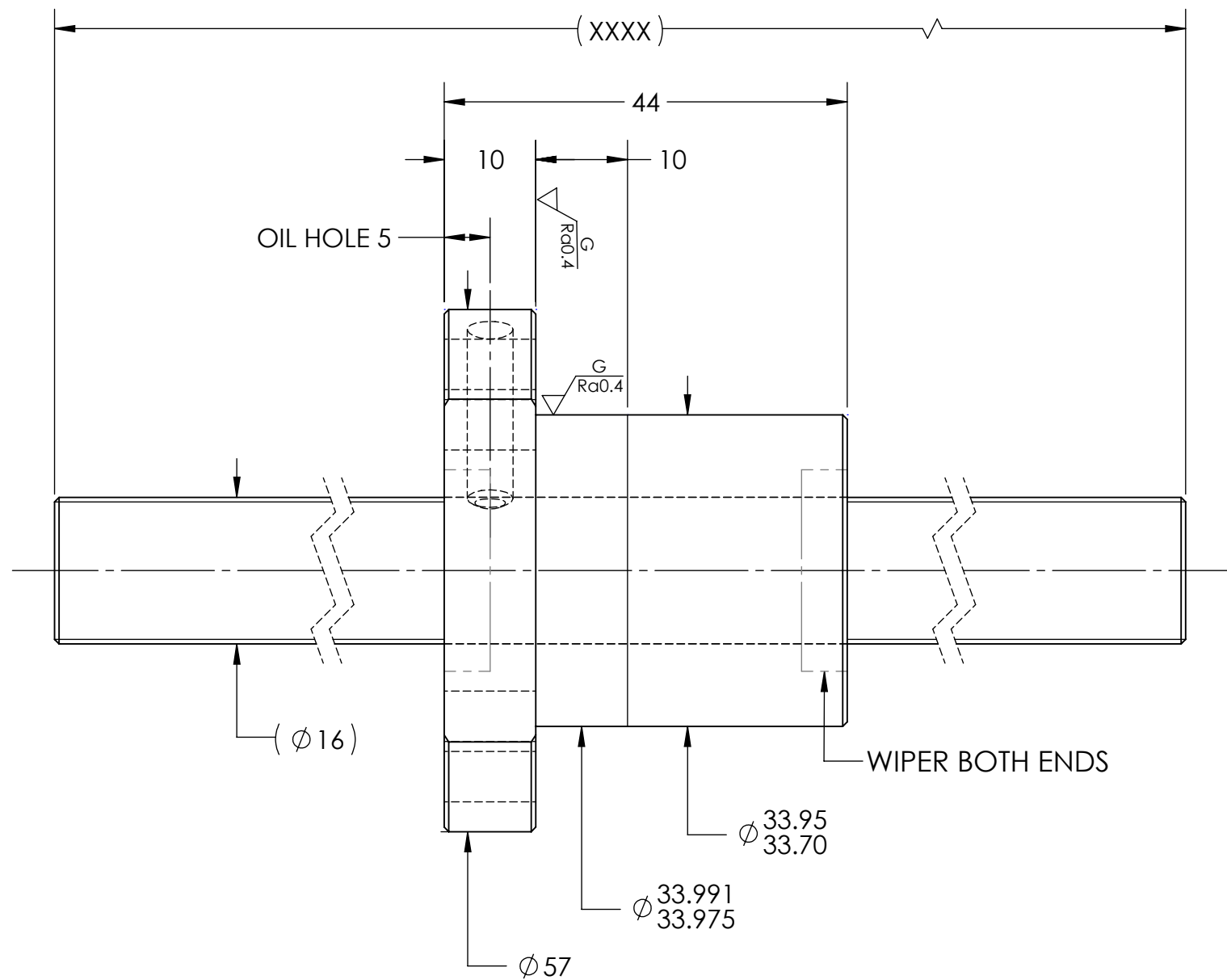
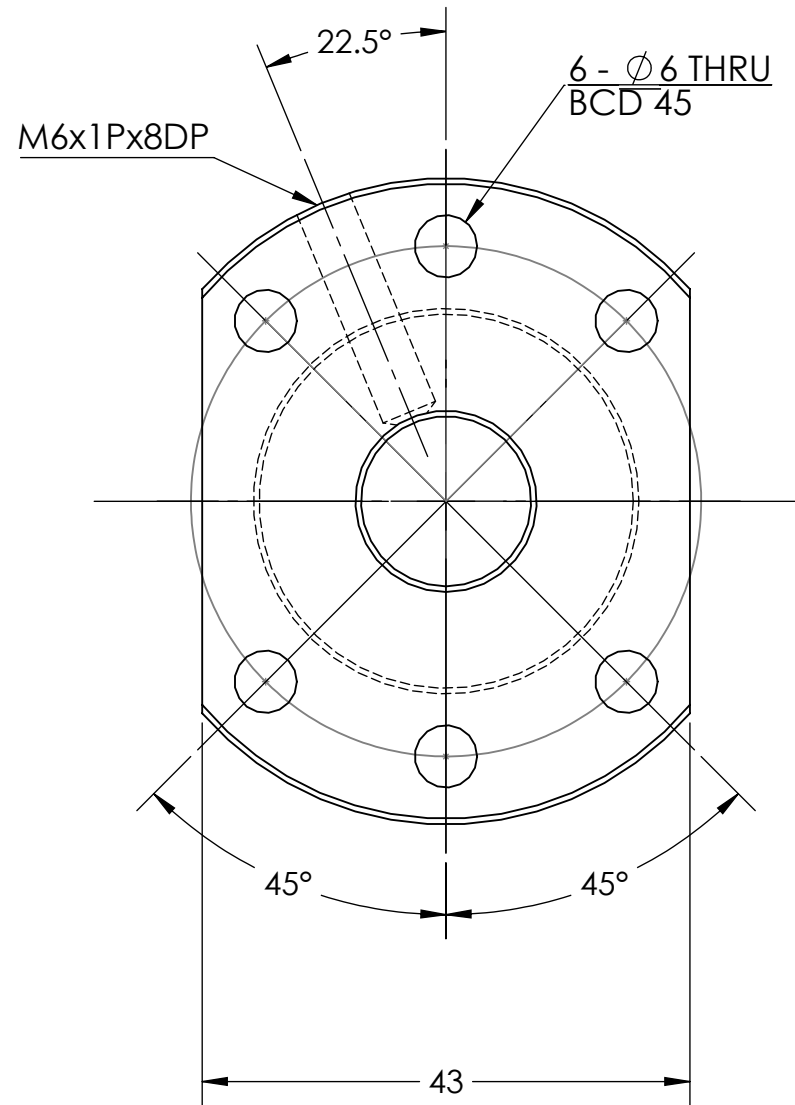


UNCONTROLLED IF PRINTED

$\sqrt{Ra6.3}$ ($\sqrt{Ra0.4}$)



BREAK SHARP EDGES UNLESS OTHERWISE SPECIFIED

PRELOAD(kgf)	~	ROUGH M/C	FIN M/C	GRD		MATERIAL	SHAFT:CF53/Equiv. NUT:SNM220/Equiv.				
R.D.	12.684	$\sqrt{Ra25}$	$\sqrt{Ra6.3}$	$\sqrt{Ra0.4}$		THREAD BALL TRACK	HRC 56-62				
S.F. (kgf)	~	TOLERANCE mm									
DRAG TRQ(kgf-cm)	~	UP	6	30	120	300	600	1200	2400	2400	
TURN DIRECTION	R	TO	6	30	120	300	600	1200	2400	OVER	
P.C. DIA.	15.96	± 0.1	± 0.2	± 0.3	± 0.4	± 0.5	± 0.8	± 1.0	± 1.5		
BALL DIA.	3.175	DATE	INITIALS	HIWIN CORPORATION 12455 Jim Dhamer Dr, Huntley, IL 60142							
BACKLASH	0.04 MAX	DRAWN	11/14/2022								D.W
CIRCUIT	3	CHECKED	01/17/2023								T.C.
LEAD ANGLE	11.28	MFG APPR.	01/17/2023								A.H
DYNAMIC (kgf)	900	TITLE:		STANDARD STOCK BALLSCREW							
STATIC (kgf)	1860	PART NUMBER:		R16-10K3-FSC-XXX-XXX-0.05							
LEAD	10	SIZE	DWG. NO.	REV	SCALE	NTS					
		B	W-SBS-16-10-A01	N/C							

HIWIN CONFIDENTIAL

