

UNCONTROLLED IF PRINTED

$\sqrt{Ra6.3}$  ( $\frac{G}{Ra0.4}$ )

D

D

C

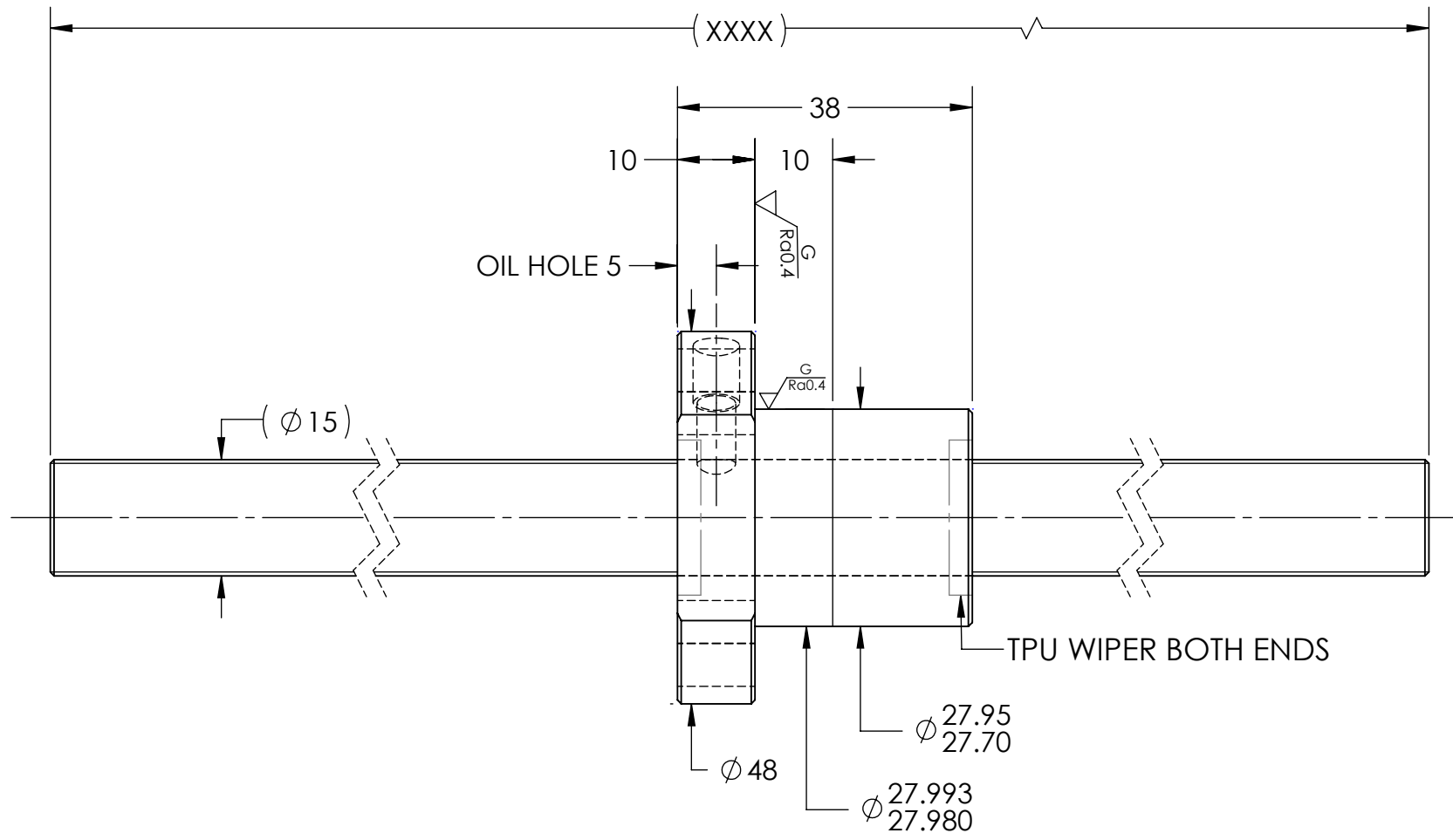
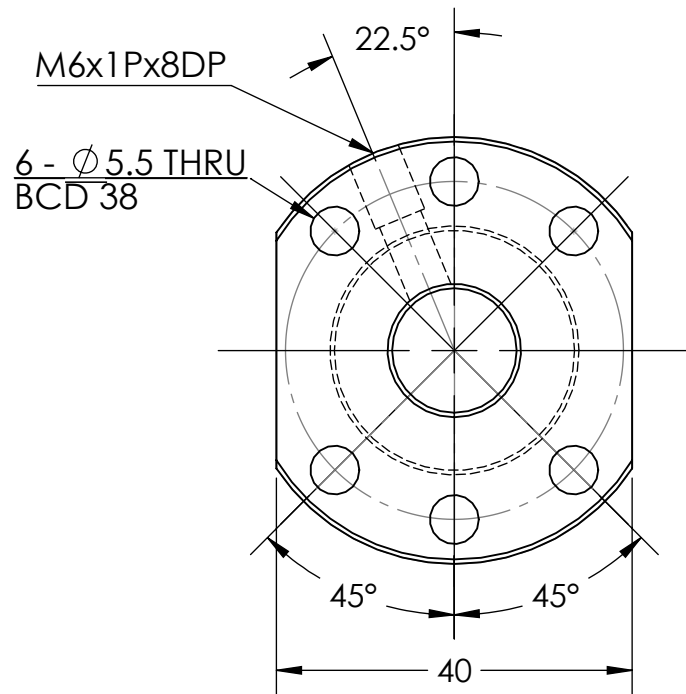
C

B

B

A

A



BREAK SHARP EDGES UNLESS OTHERWISE SPECIFIED

PRELOAD(kgf)	~	ROUGH M/C	FIN M/C	GRD		MATERIAL	SHAFT:CF53/Equiv. NUT:SNM220/Equiv.				
R.D.	11.799	$\sqrt{Ra25}$	$\sqrt{Ra6.3}$	$\sqrt{Ra0.4}$		THREAD BALL TRACK	HRC 56~62				
S.F. (kgf)	~	<b>TOLERANCE mm</b>									
DRAG TRQ(kgf-cm)	~	UP	6	30	120	300	600	1200	2400	2400	OVER
TURN DIRECTION	R	TO	6	30	120	300	600	1200	2400	2400	OVER
P.C. DIA.	14.93	± 0.1	± 0.2	± 0.3	± 0.4	± 0.5	± 0.8	± 1.0	± 1.5		
BALL DIA.	3	DATE	INITIALS	<b>HIWIN</b> HIWIN CORPORATION Motion Control and System Technology 12455 Jim Dhamer Dr, Huntley, IL 60142							
BACKLASH	0.03 MAX	DRAWN	11/21/2022	D.W	<b>TITLE:</b> STANDARD STOCK BALLSCREW						
CIRCUIT	4	CHECKED	01/17/2023	T.C.							
LEAD ANGLE	6.08	MFG APPR.	01/17/2023	A.H							
DYNAMIC (kgf)	1290			<b>PART NUMBER:</b> R15-5K4-FSCEW-XXXX-XXXX-0.05							
STATIC (kgf)	2140			SIZE	DWG. NO.	REV	SCALE	NTS			
LEAD	5	v300p:	B	W-SBS-15-5-A02	N/C						

HIWIN CONFIDENTIAL

8 7 6 5 4 3 2 1