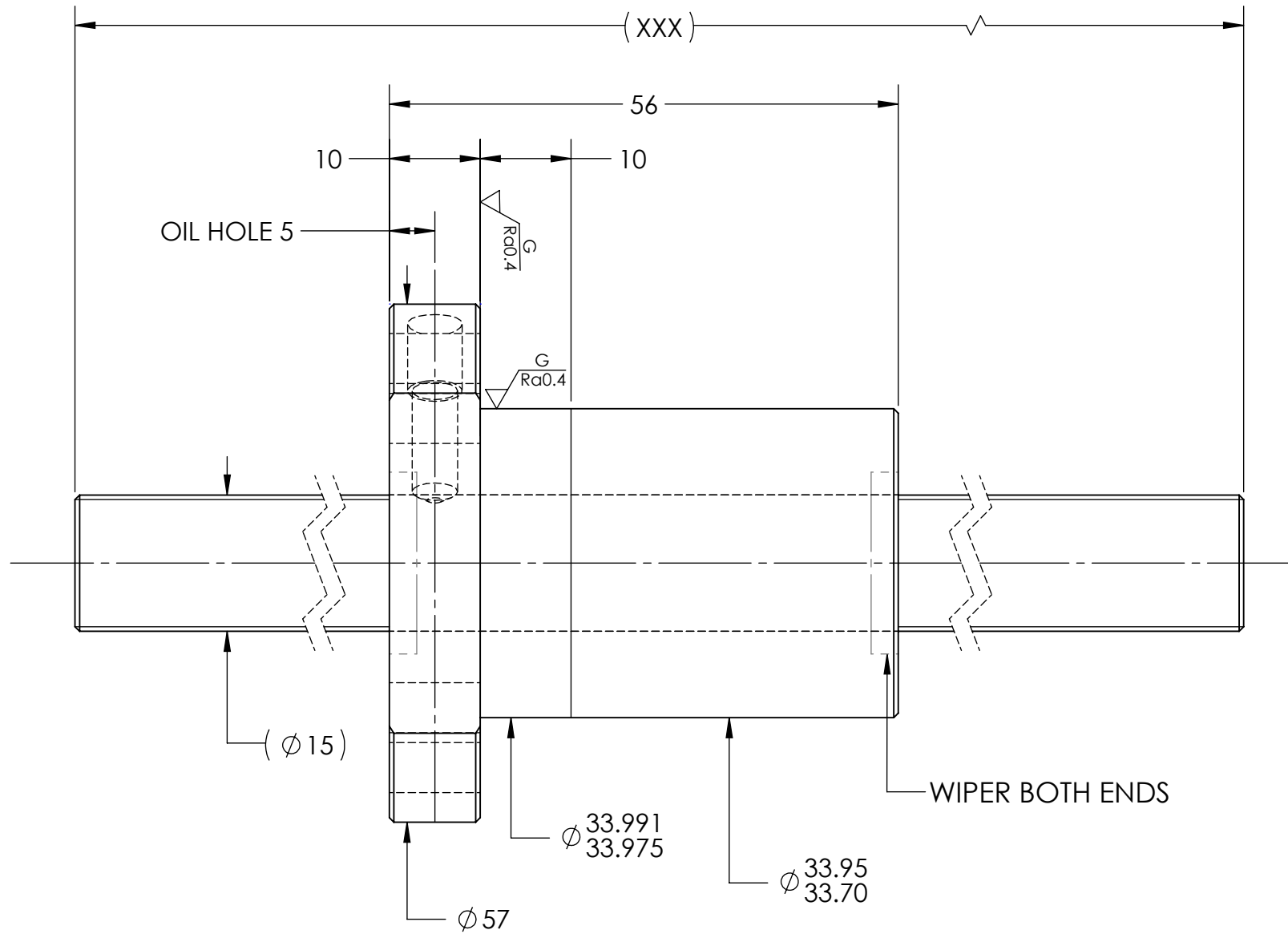
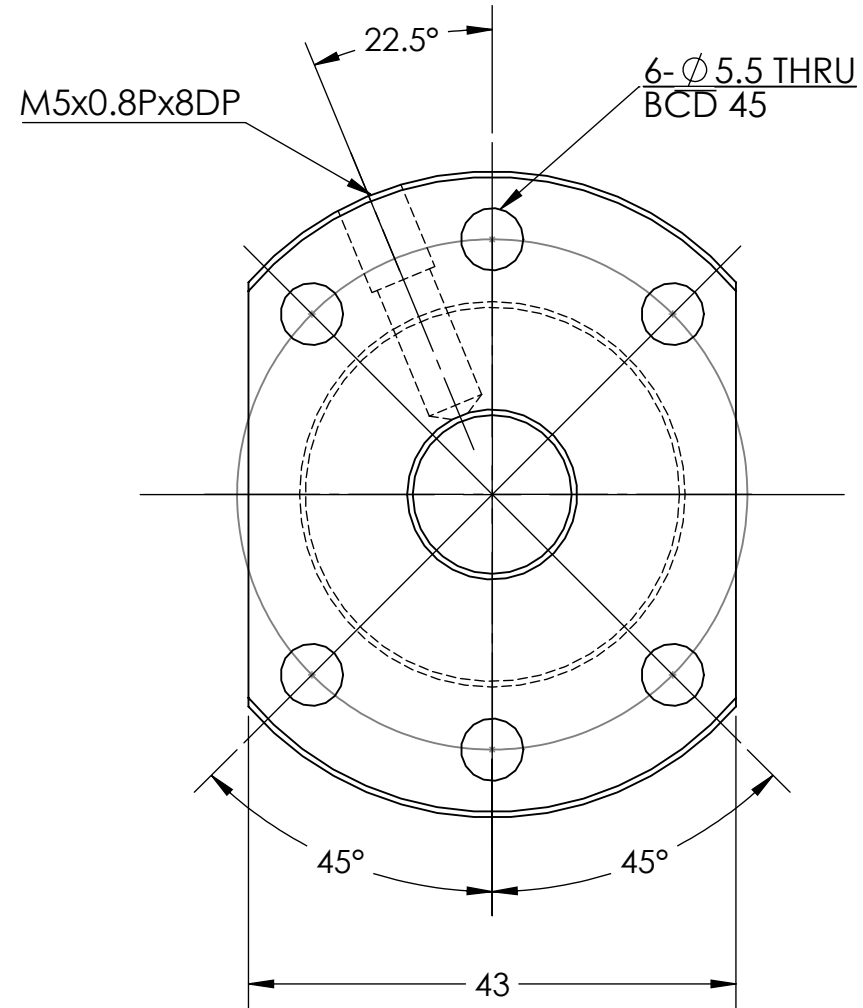


UNCONTROLLED IF PRINTED

$\sqrt{Ra6.3}$ ($\sqrt{Ra0.4}$)



BREAK SHARP EDGES UNLESS OTHERWISE SPECIFIED

PRELOAD(kgf)	~
R.D.	12.399
S.F. (kgf)	~
DRAG TRQ(kgf-cm)	~
TURN DIRECTION	R
P.C. DIA.	15.675
BALL DIA.	3.175
BACKLASH	0.04 MAX
CIRCUIT	4
LEAD ANGLE	22.1
DYNAMIC (kgf)	1040
STATIC (kgf)	2260
LEAD/PITCH	20/5

ROUGH M/C	FIN M/C	GRD	MATERIAL		SHAFT:CF53/Equiv.	
$\sqrt{Ra25}$	$\sqrt{Ra6.3}$	$\sqrt{Ra0.4}$	NUT:SNM220/Equiv.		HRC 56-62	
TOLERANCE mm						
UP	6	30	120	300	600	1200
TO	6	30	120	300	600	1200
TURN DIRECTION	± 0.1	± 0.2	± 0.3	± 0.4	± 0.5	± 0.8
						± 1.0
						± 1.5
DATE	INITIALS	HIWIN HIWIN CORPORATION Motion Control and System Technology 12455 Jim Dhamer Dr, Huntley, IL 60142				
DRAWN	D.W					
CHECKED	T.C.					
MFG APPR.	A.H					
TITLE:			STANDARD STOCK BALLSCREW			
PART NUMBER:			4R15-20K4-DFSC-XXX-XXX-0.05			
SIZE	DWG. NO.	REV	SCALE	NTS		
B	W-SBS-15-20-A01	N/C				

HIWIN CONFIDENTIAL

