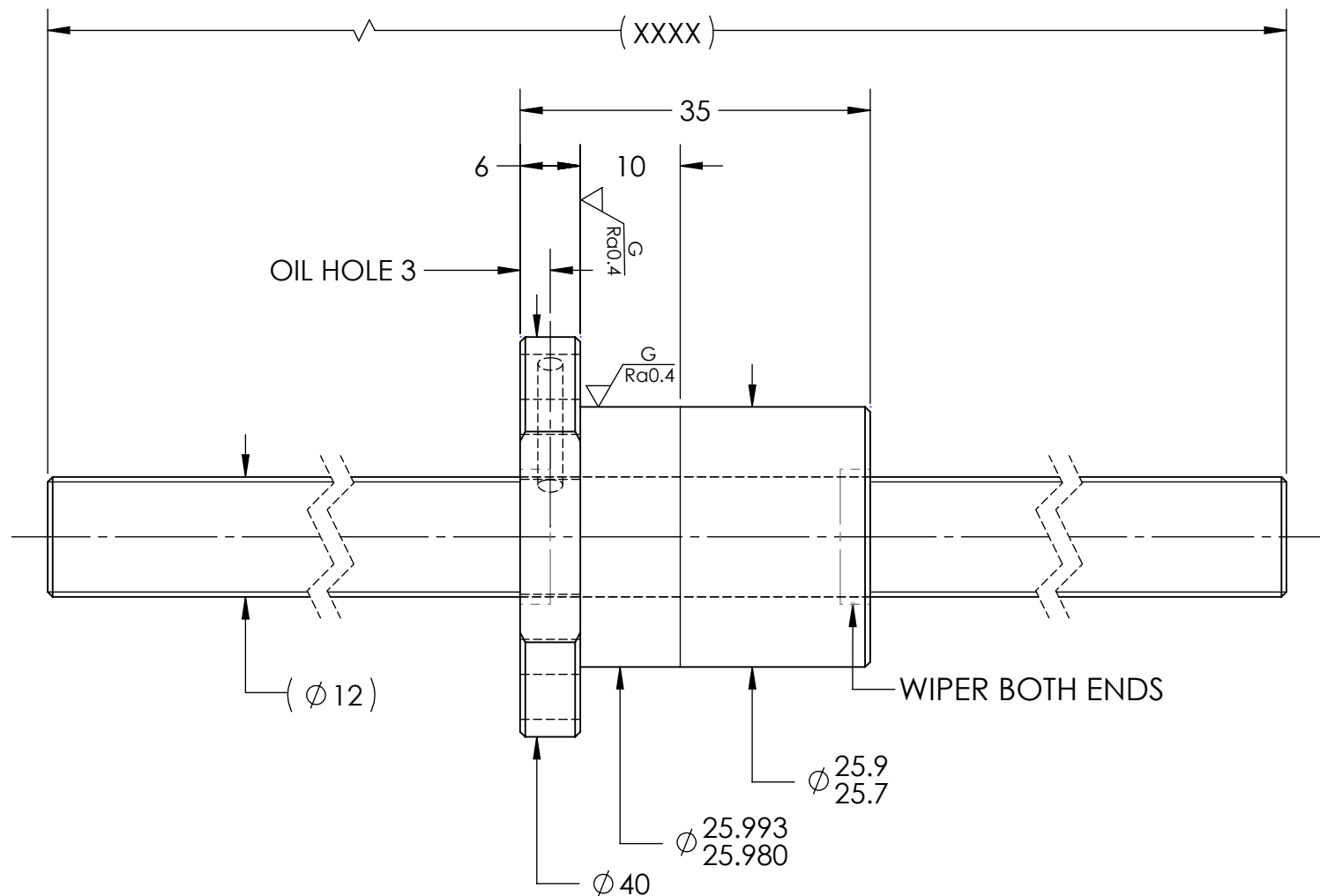
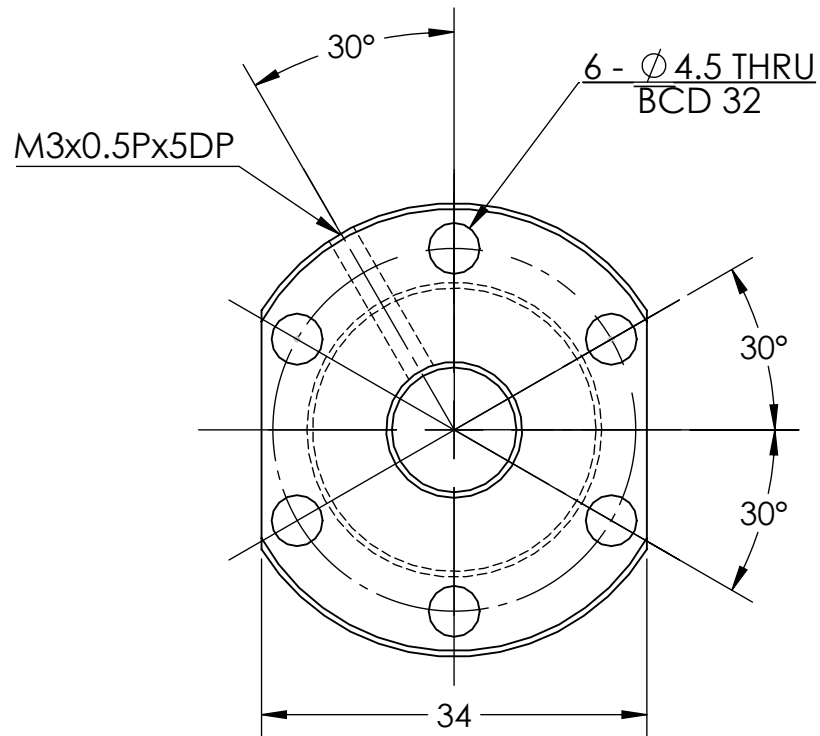


UNCONTROLLED IF PRINTED

$\sqrt{Ra6.3}$ ($\sqrt{Ra0.4}$)



BREAK SHARP EDGES UNLESS OTHERWISE SPECIFIED

PRELOAD(kgf)	~	ROUGH M/C	FIN M/C	GRD		MATERIAL	SHAFT:CF53/Equiv. NUT:SNM220/Equiv.			
R.D.	9.642	$\sqrt{Ra25}$	$\sqrt{Ra6.3}$	$\sqrt{Ra0.4}$		THREAD BALL TRACK	HRC 56~62			
S.F. (kgf)	~	TOLERANCE mm								
DRAG TRQ(kgf-cm)	~	UP	6	30	120	300	600	1200	2400	2400
TURN DIRECTION	R	TO	6	30	120	300	600	1200	2400	OVER
P.C. DIA.	12.1	DATE		INITIALS	 HIWIN CORPORATION 12455 Jim Dhamer Dr, Huntley, IL 60142					
BALL DIA.	2.381	DRAWN	09/30/2022	D.W						
BACKLASH	0.02 MAX	CHECKED	01/17/2023	T.C.						
CIRCUIT	2.6*1	MFG APPR.	01/17/2023	A.H						
LEAD ANGLE	7.49	TITLE:		STANDARD STOCK BALLSCREW						
DYNAMIC (kgf)	510	PART NUMBER:								R12-5B1-FSZ-XXX-XXX-0.05
STATIC (kgf)	980	SIZE		DWG. NO.		REV	SCALE	NTS		
LEAD	5	B		W-SBS-12-5-A01		N/C				

HIWIN CONFIDENTIAL

