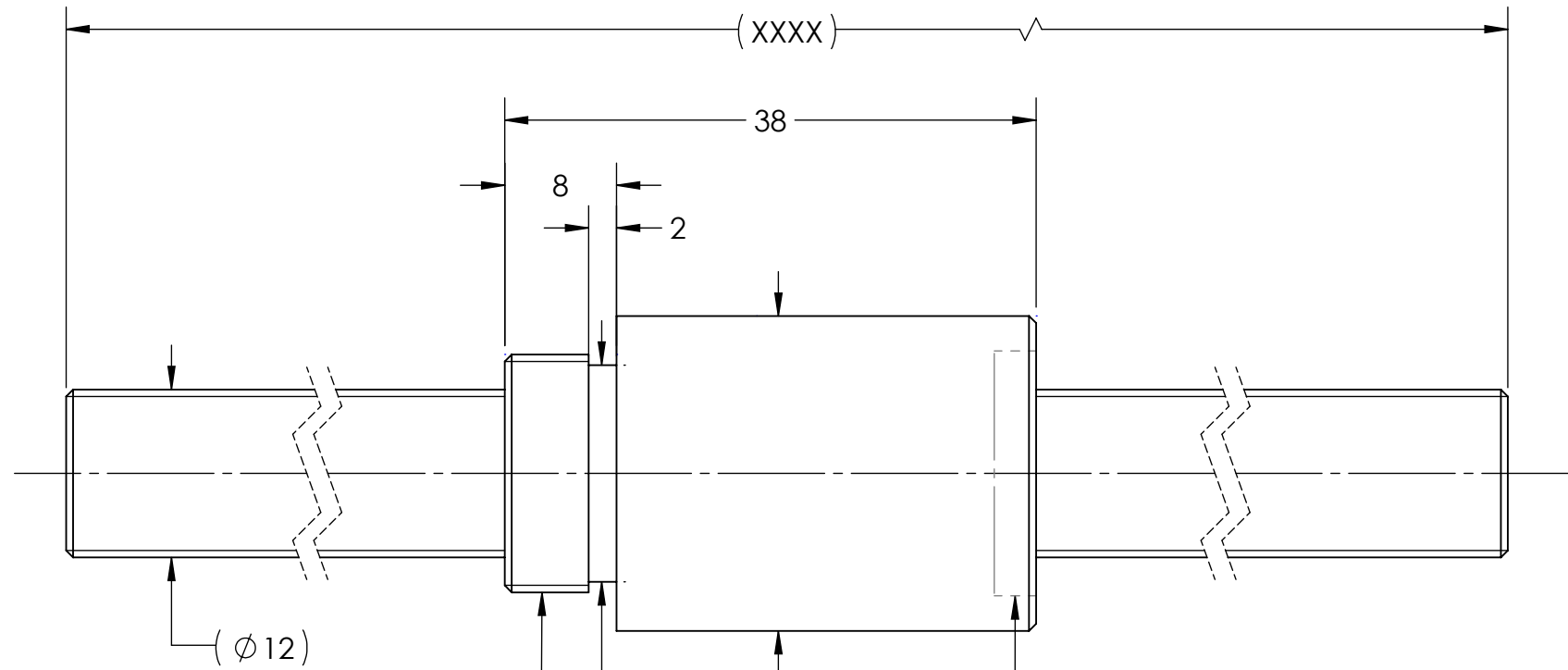
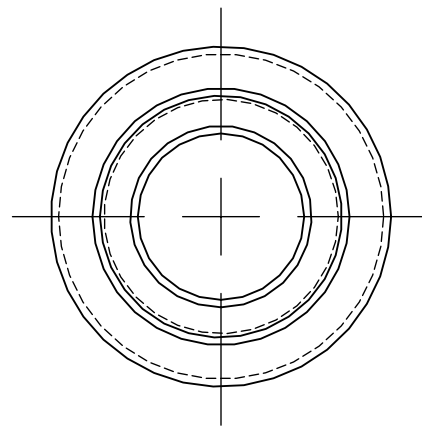


UNCONTROLLED IF PRINTED

$\sqrt{Ra6.3}$ ($\sqrt{Ra0.4}^G$)



M17 X 1P
 MD: 16.974
 16.794
 PD: 16.324
 16.206

WIPER THIS END

BREAK SHARP EDGES UNLESS OTHERWISE SPECIFIED

PRELOAD(kgf)	~	ROUGH M/C	FIN M/C	GRD		MATERIAL	SHAFT:CF53/Equiv. NUT:SNCM220/Equiv.			
R.D.	9.792	$\sqrt{Ra25}$	$\sqrt{Ra6.3}$	$\sqrt{Ra0.4}$		THREAD BALL TRACK	HRC 56-62			
S.F. (kgf)	~	TOLERANCE mm								
DRAG TRQ(kgf-cm)	~	UP	6	30	120	300	600	1200	2400	2400
TURN DIRECTION	R	TO	6	30	120	300	600	1200	2400	OVER
P.C. DIA.	12.25	± 0.1	± 0.2	± 0.3	± 0.4	± 0.5	± 0.8	± 1.0	± 1.5	
BALL DIA.	2.381	DATE	INITIALS	HIWIN HIWIN CORPORATION Motion Control and System Technology 12455 Jim Dhamer Dr, Huntley, IL 60142						
BACKLASH	0.02 MAX	DRAWN	04/27/2022	D.W	STANDARD STOCK BALLSCREW					
CIRCUIT	3.6*1	CHECKED	01/17/2023	T.C.						
LEAD ANGLE	5.93	MFG APPR.	01/17/2023	A.H						
DYNAMIC (kgf)	680			PART NUMBER: R12-4C1-RSZ-XXX-XXX-0.05		SIZE	DWG. NO.	REV	SCALE	NTS
STATIC (kgf)	1370					B	W-SBS-12-4-A02	N/C		
LEAD	4	v300p:								

HIWIN CONFIDENTIAL