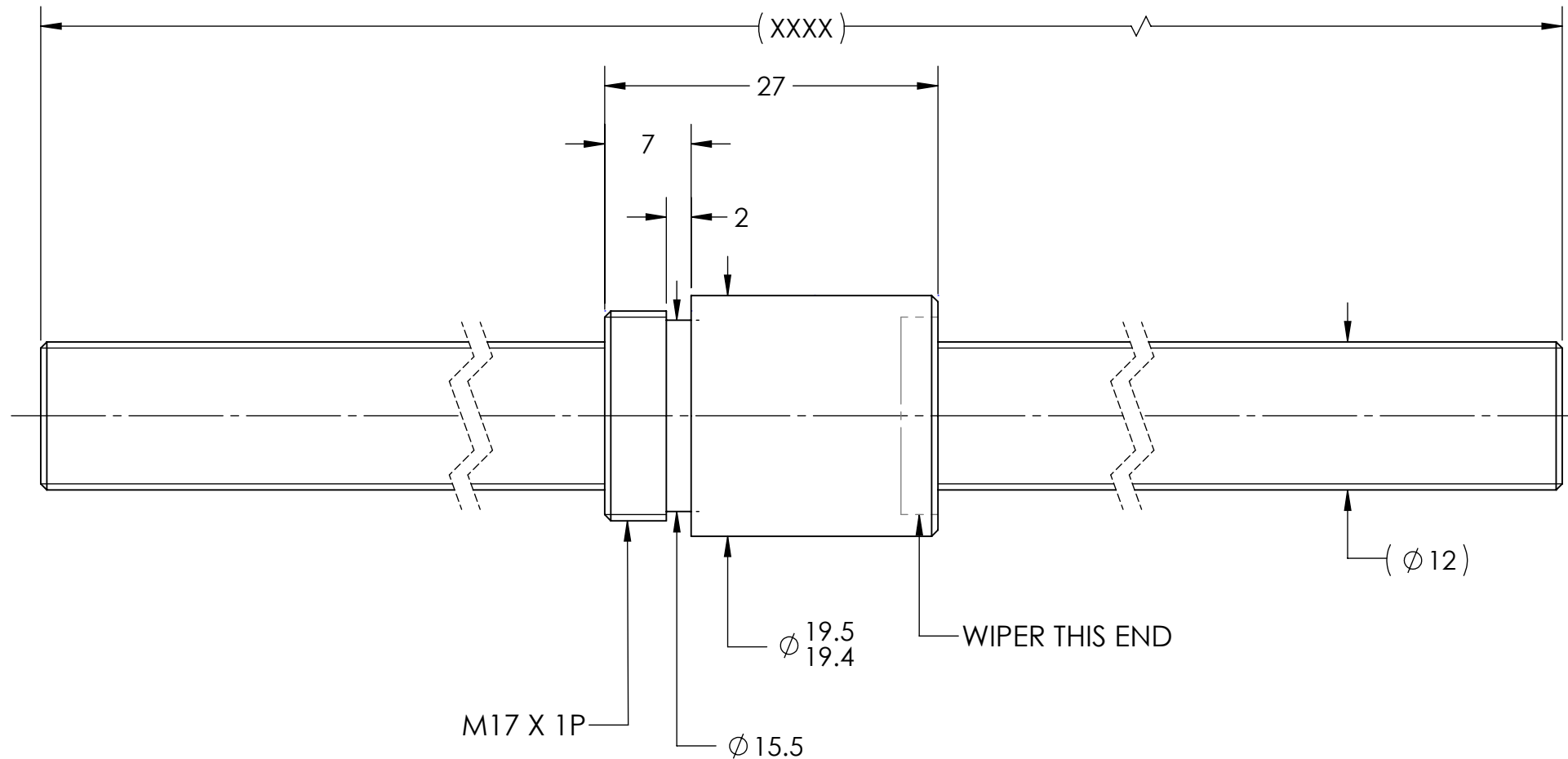
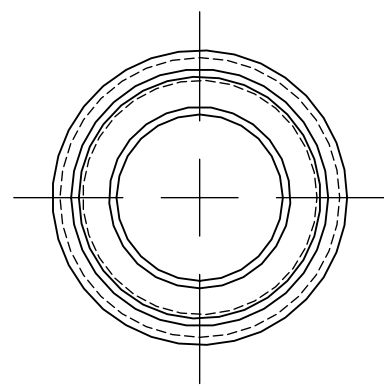


UNCONTROLLED IF PRINTED

$\sqrt{Ra6.3}$ ($\sqrt{Ra0.4}$)



M17 X 1P
 MD: 16.974
 16.794
 PD: 16.324
 16.206

BREAK SHARP EDGES UNLESS OTHERWISE SPECIFIED

PRELOAD(kgf)	~	ROUGH M/C	FIN M/C	GRD		MATERIAL	SHAFT:CF53/Equiv. NUT:SNM220/Equiv.	
R.D.	10.408	$\sqrt{Ra25}$	$\sqrt{Ra6.3}$	$\sqrt{Ra0.4}$		THREAD BALL TRACK	HRC 56~62	
S.F. (kgf)	~	TOLERANCE mm						
DRAG TRQ(kgf-cm)	~	UP TO	6	30	120	300	600 1200 2400 OVER	
TURN DIRECTION	R		± 0.1	± 0.2	± 0.3	± 0.4	± 0.5 ± 0.8 ± 1.0 ± 1.5	
P.C. DIA.	11.97	DATE	INITIALS	HIWIN CORPORATION 12455 Jim Dhamer Dr, Huntley, IL 60142				
BALL DIA.	1.5	DRAWN	04/27/2022					D.W
BACKLASH	0.01 MAX	CHECKED	01/17/2023					T.C.
CIRCUIT	3.6*1	MFG APPR.	01/17/2023					A.H
LEAD ANGLE	3.04	THREAD LENGTH		TITLE: STANDARD STOCK BALLSCREW				
DYNAMIC (kgf)	370	v300p: 0.05		PART NUMBER: R12-2C1-RSZ-XXXX-XXXX-0.05				
STATIC (kgf)	870	SIZE	DWG. NO.	REV	SCALE	NTS		
LEAD	2	B	W-SBS-12-2-A02	N/C				

HIWIN CONFIDENTIAL