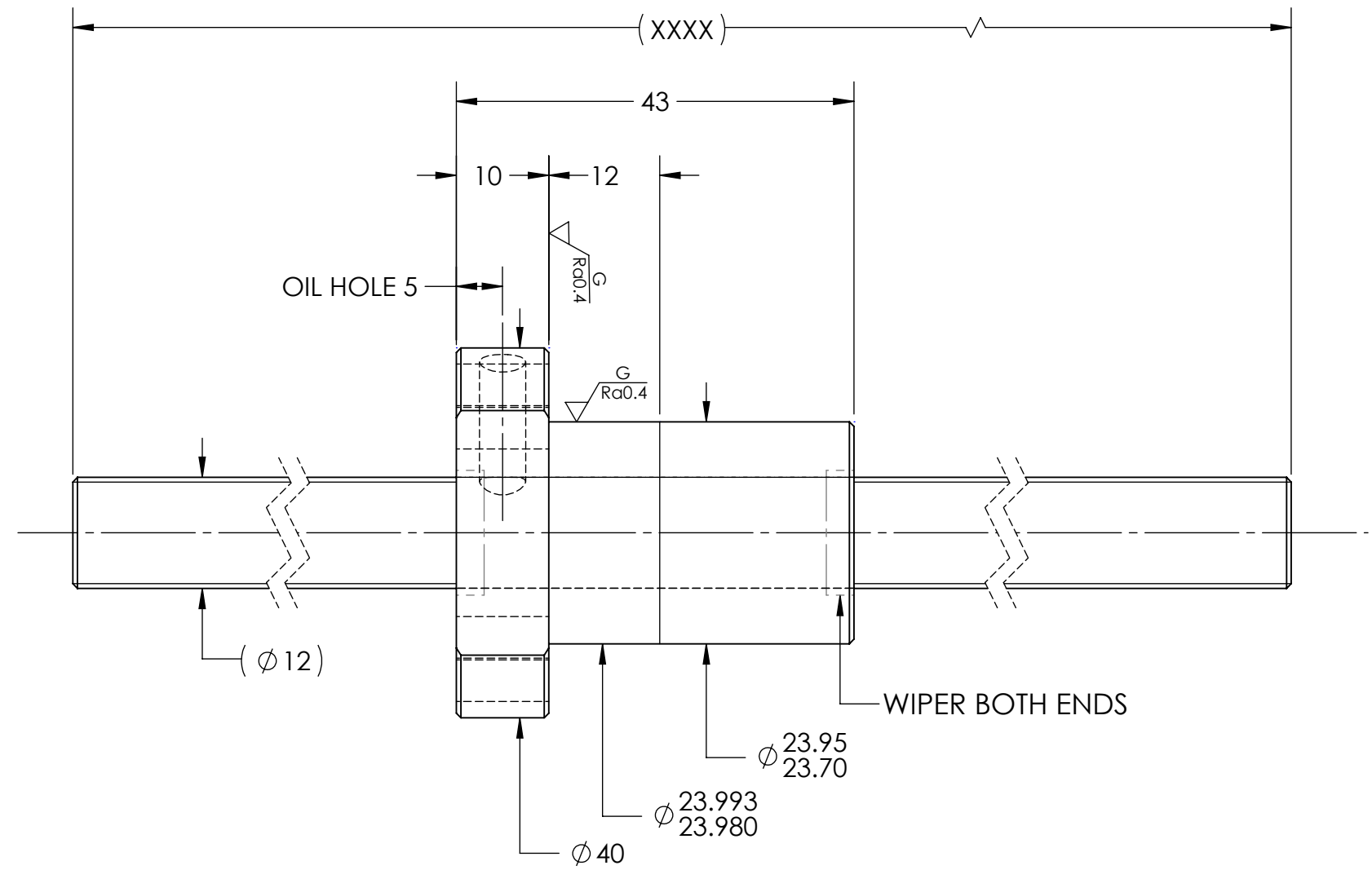
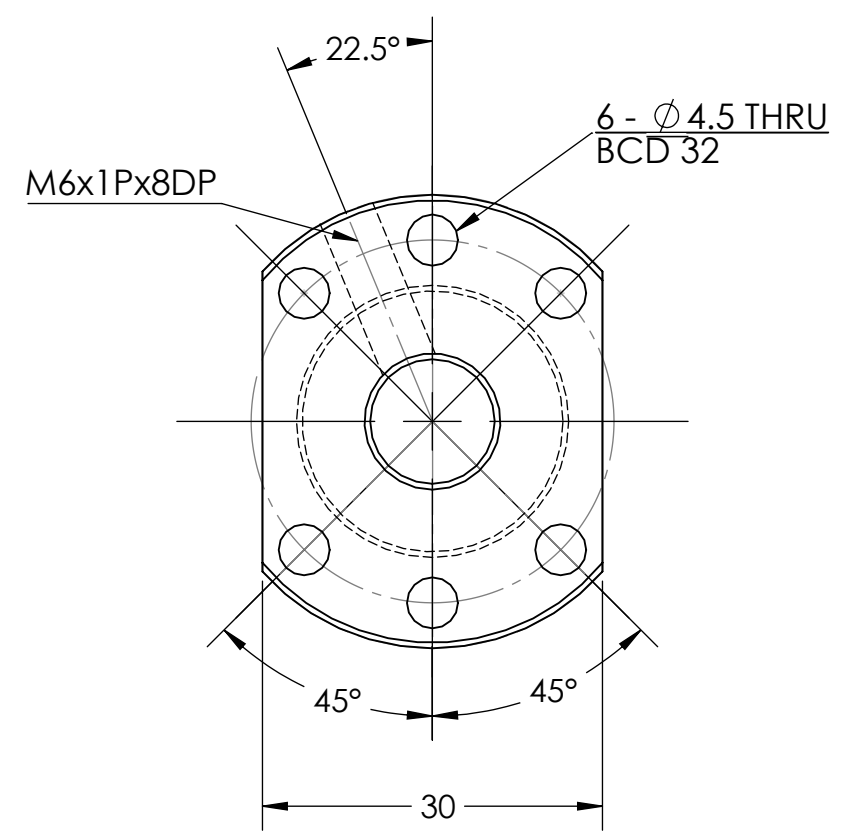


UNCONTROLLED IF PRINTED

$\sqrt{Ra6.3}$ ($\sqrt{Ra0.4}$)



BREAK SHARP EDGES UNLESS OTHERWISE SPECIFIED

PRELOAD(kgf)	~	ROUGH M/C	FIN M/C	GRD		MATERIAL	SHAFT:CF53/Equiv. NUT:SNM220/Equiv.			
R.D.	9.622	$\sqrt{Ra25}$	$\sqrt{Ra6.3}$	$\sqrt{Ra0.4}$		THREAD BALL TRACK	HRC 56~62			
S.F. (kgf)	~	TOLERANCE mm								
DRAG TRQ(kgf-cm)	~	UP	6	30	120	300	600	1200	2400	2400
TURN DIRECTION	R	TO	6	30	120	300	600	1200	2400	OVER
P.C. DIA.	12.08	± 0.1	± 0.2	± 0.3	± 0.4	± 0.5	± 0.8	± 1.0	± 1.5	
BALL DIA.	2.381	DATE	INITIALS	HIWIN HIWIN CORPORATION						
BACKLASH	0.02 MAX	DRAWN	04/27/2022	D.W	Motion Control and System Technology 12455 Jim Dhamer Dr, Huntley, IL 60142					
CIRCUIT	3	CHECKED	01/17/2023	T.C.	TITLE: STANDARD STOCK BALLSCREW					
LEAD ANGLE	14.76	MFG APPR.	01/17/2023	A.H	PART NUMBER: 2R12-10K3-FSC-XXXX-XXXX-0.05					
DYNAMIC (kgf)	520			SIZE		DWG. NO.		REV	SCALE	NTS
STATIC (kgf)	1030			B	W-SBS-12-10-A02		N/C			
LEAD/PITCH	10/5	v300p:								

HIWIN CONFIDENTIAL