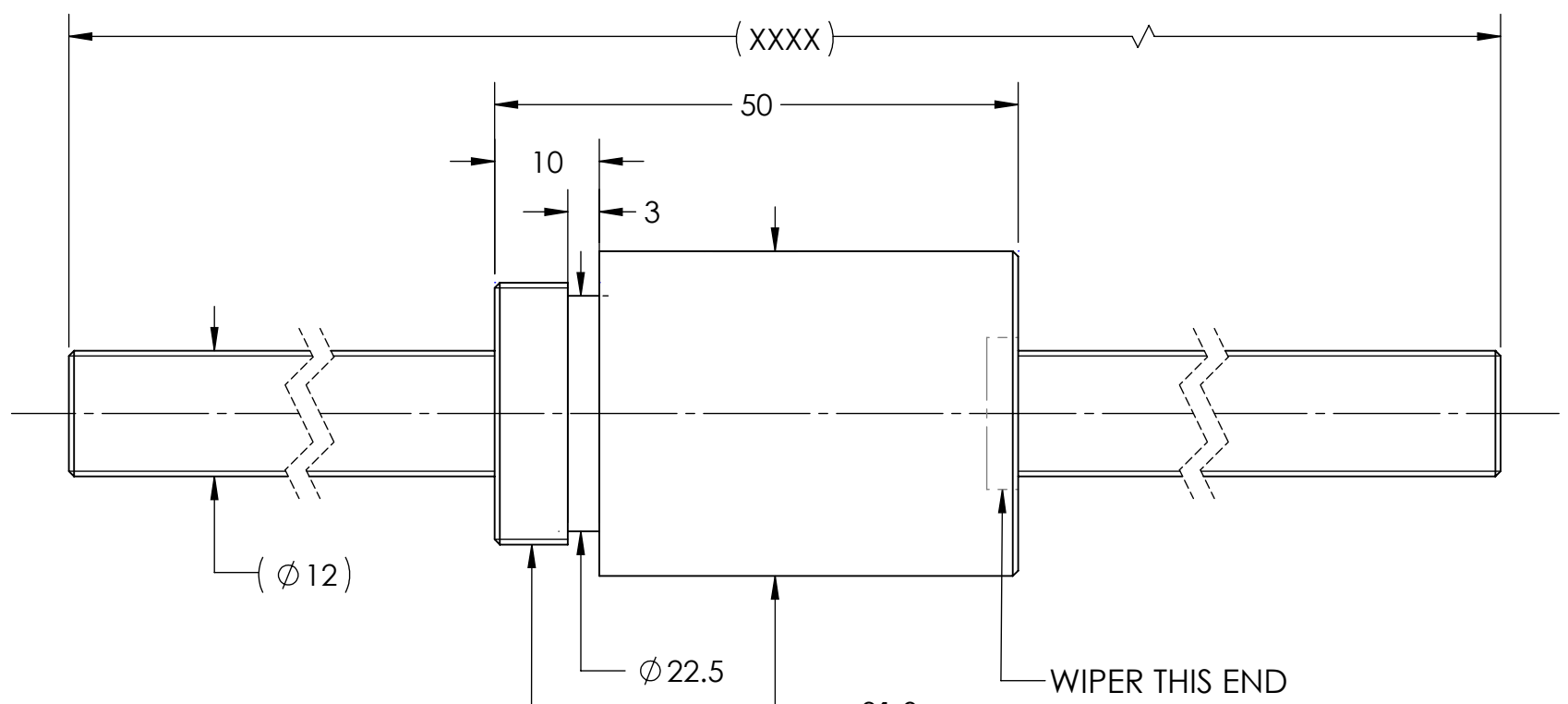
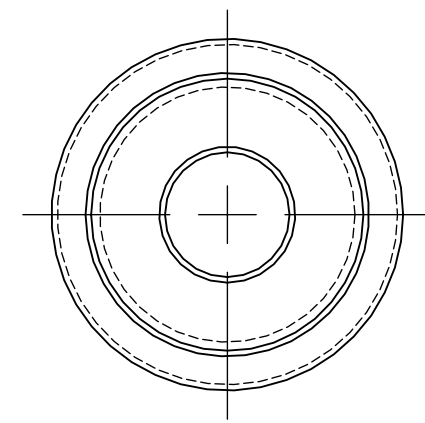


UNCONTROLLED IF PRINTED

$\sqrt{Ra6.3}$ ($\sqrt{Ra0.4}$)



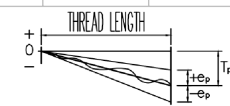
($\phi 12$)

M25 X 1.5P
 MD: 24.968
 24.732
 PD: 23.994
 23.844

BREAK SHARP EDGES UNLESS OTHERWISE SPECIFIED

PRELOAD(kgf)	~	ROUGH M/C	FIN M/C	GRD		MATERIAL	SHAFT:CF53/Equiv. NUT:SNM220/Equiv.			
R.D.	9.622	$\sqrt{Ra25}$	$\sqrt{Ra6.3}$	$\sqrt{Ra0.4}$		THREAD BALL TRACK	HRC 56-62			
S.F. (kgf)	~	TOLERANCE mm								
DRAG TRQ(kgf-cm)	~	UP	6	30	120	300	600	1200	2400	2400
TURN DIRECTION	R	TO	6	30	120	300	600	1200	2400	OVER
P.C. DIA.	12.08	± 0.1	± 0.2	± 0.3	± 0.4	± 0.5	± 0.8	± 1.0	± 1.5	
BALL DIA.	2.381	DATE		INITIALS	HIWIN CORPORATION 12455 Jim Dhamer Dr, Huntley, IL 60142					
BACKLASH	0.02 MAX	DRAWN	04/27/2022	D.W						
CIRCUIT	2.6*1	CHECKED	01/17/2023	T.C.						
LEAD ANGLE	14.76	MFG APPR.	01/17/2023	A.H						
DYNAMIC (kgf)	490	TITLE:		STANDARD STOCK BALLSCREW						
STATIC (kgf)	960	PART NUMBER:		2R12-10B1-RST-XXXX-XXXX-0.05						
LEAD/PITCH	10/5	SIZE	DWG. NO.	REV	SCALE	NTS				
		B	W-SBS-12-10-A01	N/C						

HIWIN CONFIDENTIAL



v300p: