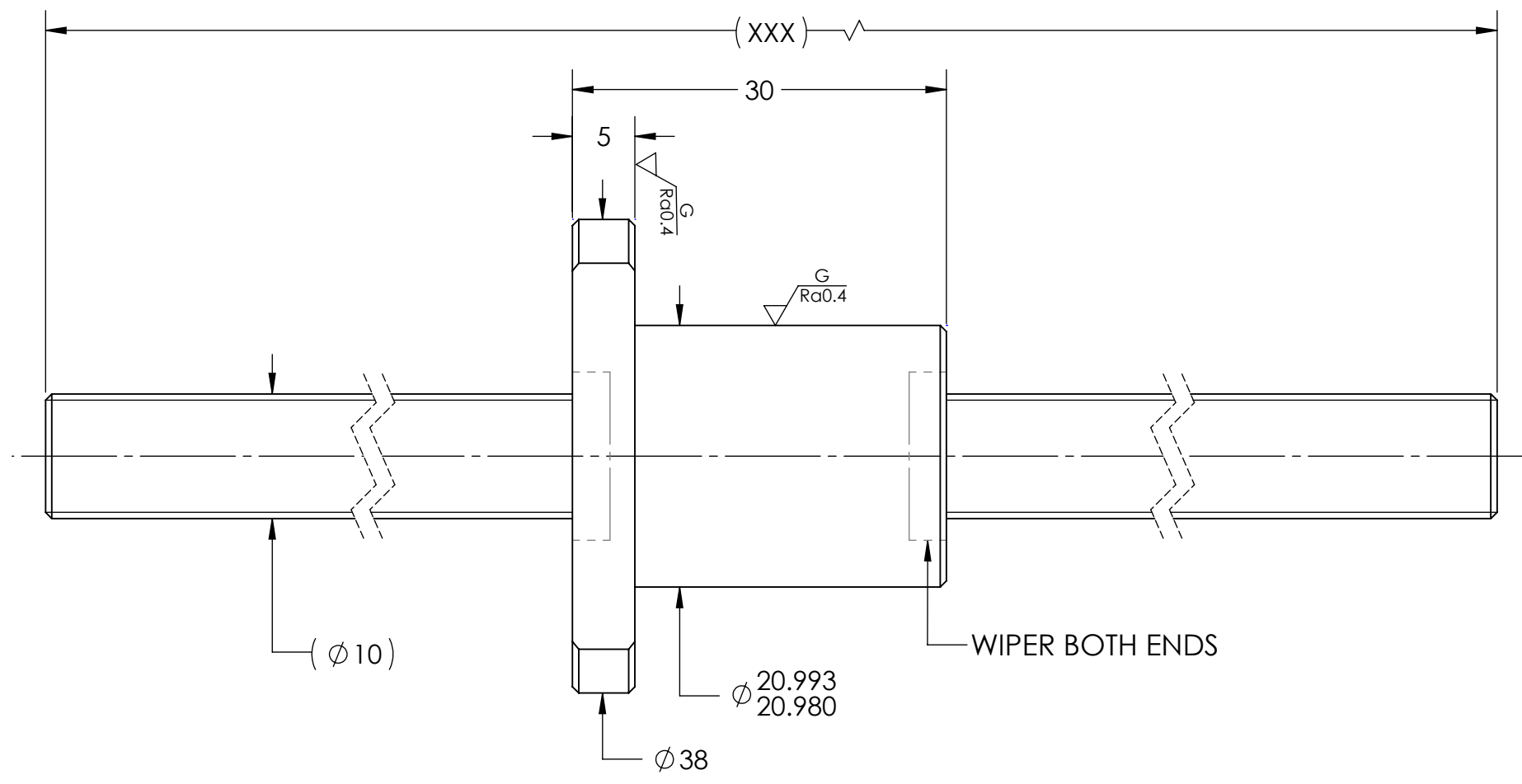
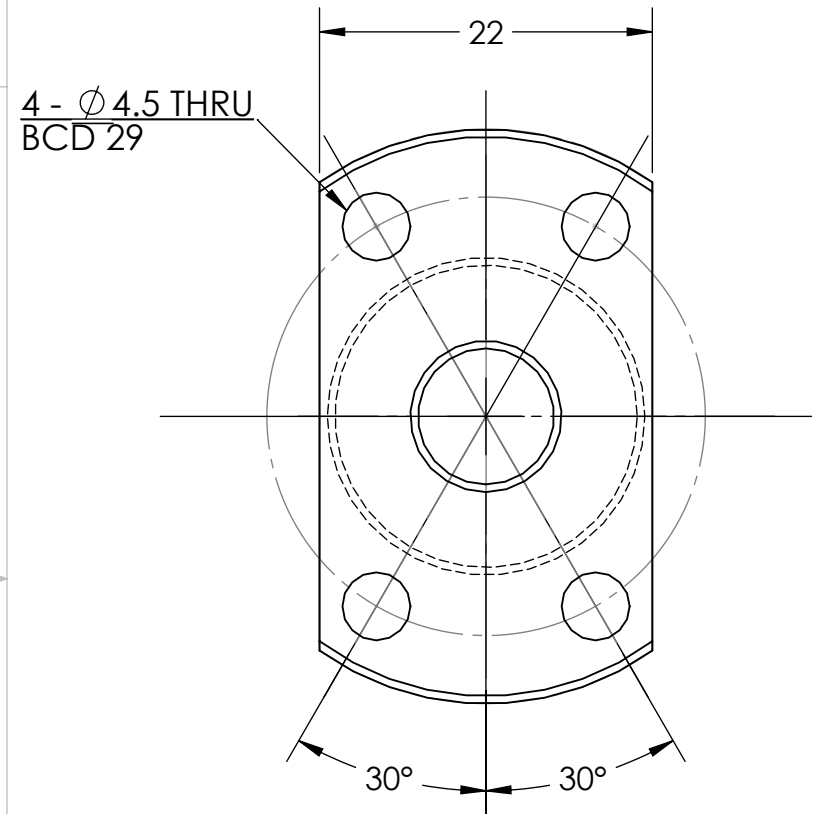


UNCONTROLLED IF PRINTED

$\sqrt{Ra6.3}$ ($\sqrt{Ra0.4}$)

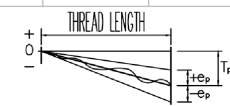


BREAK SHARP EDGES UNLESS OTHERWISE SPECIFIED

PRELOAD(kgf)	~
R.D.	7.742
S.F. (kgf)	~
DRAG TRQ(kgf-cm)	~
TURN DIRECTION	R
P.C. DIA.	10.2
BALL DIA.	2.381
BACKLASH	0.02 MAX
CIRCUIT	2.6*1
LEAD ANGLE	7.12
DYNAMIC (kgf)	450
STATIC (kgf)	790
LEAD	4

ROUGH M/C	FIN M/C	GRD		MATERIAL	SHAFT:CF53/Equiv. NUT:SNM220/Equiv.
$\sqrt{Ra25}$	$\sqrt{Ra6.3}$	$\sqrt{Ra0.4}$		THREAD BALL TRACK	HRC 56~62
TOLERANCE mm					
UP	6	30	120	300	600
TO	6	30	120	300	600
					1200
					2400
					OVER
	± 0.1	± 0.2	± 0.3	± 0.4	± 0.5
					± 0.8
					± 1.0
					± 1.5
DATE	INITIALS	HIWIN CORPORATION 12455 Jim Dhamer Dr, Huntley, IL 60142			
DRAWN	D.W				
CHECKED	T.C.				
MFG APPR.	A.H				
TITLE: STANDARD STOCK BALLSCREW					
PART NUMBER: R10-4B1-FSZ-XXX-XXX-0.05					
SIZE	DWG. NO.	REV	SCALE	NTS	
B	W-SBS-10-4-A01	N/C			

HIWIN CONFIDENTIAL



v300p: 0.05