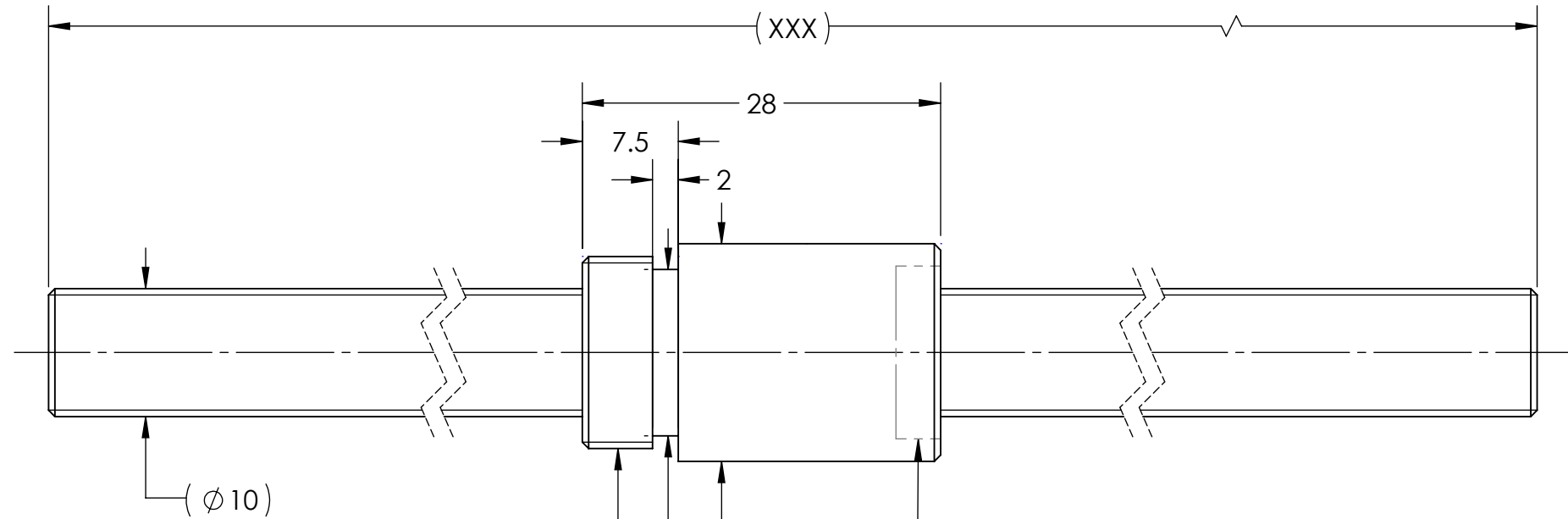
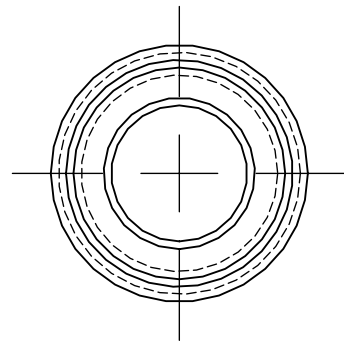


UNCONTROLLED IF PRINTED

▽ Ra6.3 (▽ $\frac{G}{Ra6.3}$)



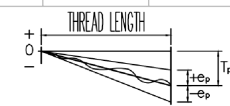
M15 X 1P
 MD: 14.974
 MD: 14.794
 PD: 14.324
 PD: 14.206

WIPER THIS END

BREAK SHARP EDGES UNLESS OTHERWISE SPECIFIED

PRELOAD(kgf)	~
R.D.	8.348
S.F. (kgf)	~
DRAG TRQ(kgf-cm)	~
TURN DIRECTION	R
P.C. DIA.	9.91
BALL DIA.	1.5
BACKLASH	0.01 MAX
CIRCUIT	2.6*1
LEAD ANGLE	3.68
DYNAMIC (kgf)	250
STATIC (kgf)	500
LEAD	2

ROUGH M/C	FIN M/C	GRD	MATERIAL		SHAFT:CF53/Equiv. NUT:SNCM220/Equiv.		
▽ Ra25	▽ Ra6.3	▽ Ra0.4	THREAD BALL TRACK		HRC 56~62		
TOLERANCE mm							
UP	6	30	120	300	600	1200 2400	
TO	6	30	120	300	600	1200 2400 OVER	
TURN DIRECTION	± 0.1	± 0.2	± 0.3	± 0.4	± 0.5	± 0.8 ± 1.0 ± 1.5	
DATE	INITIALS	HIWIN HIWIN CORPORATION 12455 Jim Dhamer Dr, Huntley, IL 60142 Motion Control and System Technology					
DRAWN	04/27/2022						D.W
CHECKED	01/17/2023						T.C.
MFG APPR.	01/17/2023						A.H
TITLE:			STANDARD STOCK BALLSCREW				
PART NUMBER:			R10-2B1-RSZ-XXX-XXX-0.05				
SIZE	DWG. NO.	REV	SCALE	NTS			
B	W-SBS-10-2-A02	N/C					



HIWIN CONFIDENTIAL