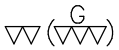
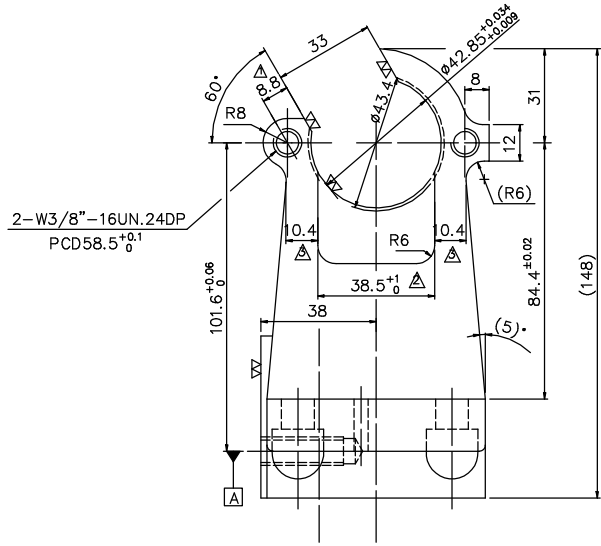
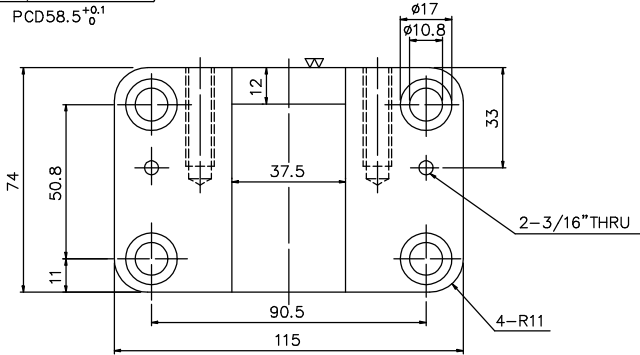
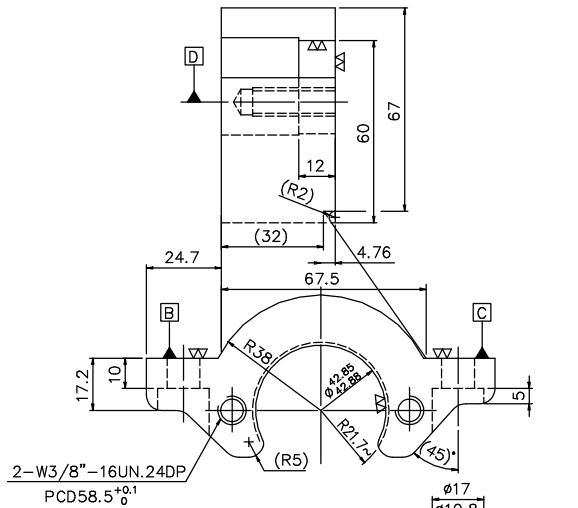


?? ? ? ? 7L0002A3

G  




? :  
 B?C????????0.012??  
 A?B?C????????0.012??  
 D?B?C????????0.012??  
 D?A?????90° ± 5'??

|          |     |    |    |
|----------|-----|----|----|
| 07.18.00 | ??  | △  | △  |
| ??       | ??? | ?? | ?? |

|      |      |      |       |      |      |      |      |      |          |           |
|------|------|------|-------|------|------|------|------|------|----------|-----------|
| □    | CO.5 | ■    | C1    | □    | C    | ??   | ??   | ??   | ??       | 07.19.00. |
| ???  | ???  | ??   | ??    | ??   | ??   | ??   | ??   | ??   | ??       | ???       |
| 250  | 6.30 | 0.45 | 0.075 | 1: X | ??   | ??   | ??   | ??   | ??       | ???       |
| ???  | ???  | mm   | ???   | ???  | ???  | ???  | ???  | ???  | ???      | ???       |
| 10   | 4    | 30   | 120   | 300  | 600  | 1200 | 2400 | 2400 | FC25     | ???       |
| ±0.1 | ±0.2 | ±0.3 | ±0.4  | ±0.5 | ±0.8 | ±1.0 | ±1.5 | ???  | HRC      | ???       |
|      |      |      |       |      |      |      |      |      | 7L0002A3 |           |